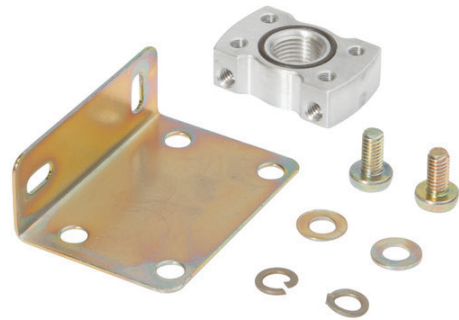


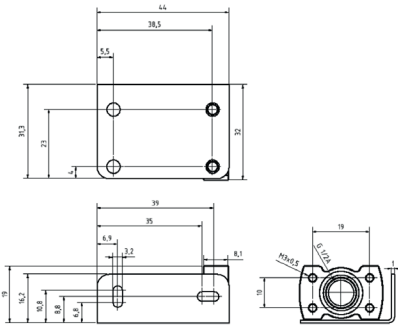
AD000013**ACCESSORIES • MOUNTING****MECHANICAL DATA**

Adaption	Adapter flange
Angle	90 °
Diameter/width of the fastening holes for sensor	4.4 mm
Diameter/width of the fastening holes for sensor	3.2 mm
Height	31.3 mm
Length	19 mm
Material	Steel
Mounting type	Screw
Number of boreholes	4
Number of oblong holes	2
Surface	Zinc coated
Thread pitch	0.5 mm
Thread size, metric	3
Version	Mounting bracket with adapter flange
Weight	22 kg
Width	44 mm

OTHER DATA

Scope of delivery	Adaption, mounting material and bracket
-------------------	---

DIMENSIONAL DRAWING



INSTALLATION



Mounting / Installation may only be carried out by a qualified electrician!

DISPOSAL



SAFETY WARNINGS

Before initial operation, please make sure to follow all safety instructions that may be provided in the product information!