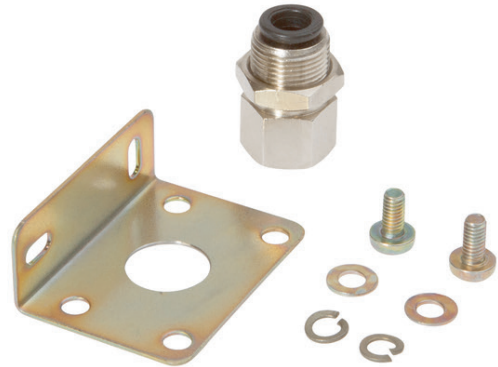


AD000016

ACCESSORIES • MOUNTING



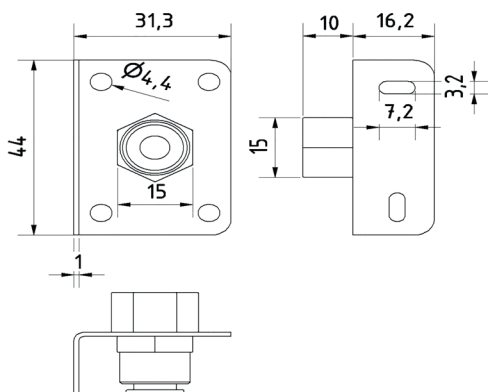
MECHANICAL DATA

| | |
|--|--------------------------------------|
| Adaption | External thread 1/8" - 6mm |
| Angle | 90 ° |
| Diameter/width of the fastening holes for sensor | 4.4 mm |
| Diameter/width of the fastening holes for sensor | 3.2 mm |
| Height | 44 mm |
| Length | 16.2 mm |
| Material | Steel |
| Mounting type | Screw |
| Number of boreholes | 4 |
| Number of oblong holes | 2 |
| Surface | Zinc coated |
| Version | Mounting bracket with adapter flange |
| Width | 31.3 mm |

OTHER DATA

| | |
|-------------------|---|
| Scope of delivery | Adaption, mounting material and bracket |
|-------------------|---|

DIMENSIONAL DRAWING



INSTALLATION



Mounting / Installation may only be carried out by a qualified electrician!

DISPOSAL



SAFETY WARNINGS

Before initial operation, please make sure to follow all safety instructions that may be provided in the product information!