

AL000013

CONNECTION TECHNOLOGY • CABLE SOCKETS /CONNECTORS ONE-SIDED PRE-ASSEMBLED

ipf cable sockets are used primarily for establishing the electrical connection of sensors. Their features are characterized by rugged design, the highest protection classes (IP67 | IP68 | IP69K) and, if desired, with 360° shielding. With the features: bus-ready, suitable for use with drag chains and robots, resistance to oil and chemicals, resistance to welding sparks, their resistance to cleaning agents or high-pressure and steam-jet cleaning, the expanded temperature range of up to +230°C, the rapid interconnection technology and special data transmission properties, the cable sockets meet all requirements in automation technology.



MECHANICAL DATA

| | |
|--|--------------------|
| Ambient temperature | -10 °C ... 55 °C |
| Cable length | 2 m |
| Housing material | Plastic |
| Material of cable sheath | PUR (Polyurethane) |
| Number of wires | 3 |
| Perm. ambient temperature of cable, flexible cable | -10 °C ... 55 °C |
| Positioning of cable feed, field side | Straight |
| Positioning of cable feed, housing side | Straight |
| Suitable for trailing chain | Yes |

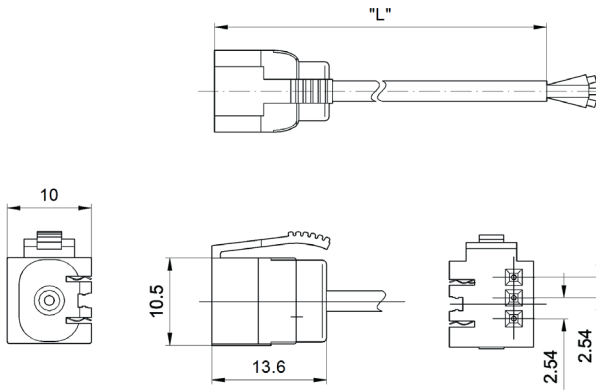
ELECTRICAL DATA

| | |
|---|-------------------------------|
| Line diameter | 3 mm |
| Number of pins | 3 |
| Number of pins, housing side | 3 |
| Type of electrical connection, field side | Blade terminal |
| Type of electrical connection, housing side | Free conductor end |
| Type of plug-in contact, field side | Female (socket) / male (plug) |

OTHER DATA

| | |
|-----------------|-----|
| Flame resistant | No |
| Welding area | Yes |

DIMENSIONAL DRAWING



INSTALLATION



Mounting / Installation may only be carried out by a qualified electrician!

DISPOSAL



SAFETY WARNINGS

Before initial operation, please make sure to follow all safety instructions that may be provided in the product information!