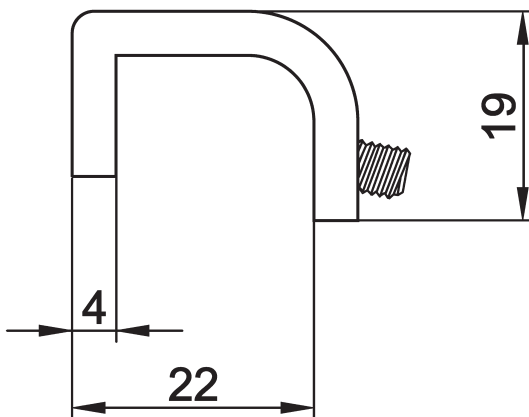


AM000005**ACCESSORIES • MOUNTING****MECHANICAL DATA**

For sensor	MZ13
Material	Zinc
Material quality	Untreated
Mounting type	Screw mounting
Nominal diameter	18 mm
Surface	Hot dip galvanized
To fix to	Cylinder, double rail

OTHER DATA

Suitable for fire protection areas	No
------------------------------------	----

DIMENSIONAL DRAWING**INSTALLATION****DISPOSAL**



Mounting / Installation may only be carried out by a qualified electrician!



SAFETY WARNINGS

Before initial operation, please make sure to follow all safety instructions that may be provided in the product information!