

AM000022

ACCESSORIES • MOUNTING



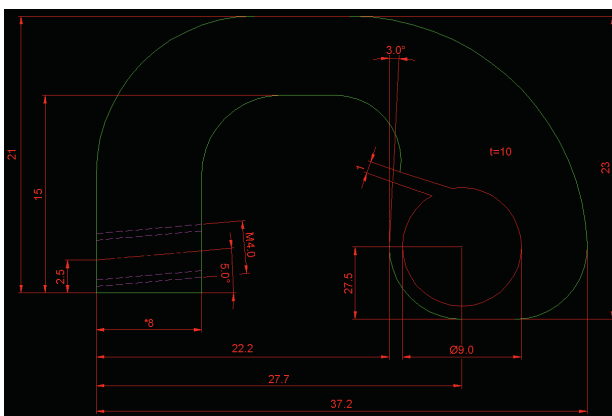
MECHANICAL DATA

Diameter	14 mm ... 14 mm
For sensor	9round
Material	Zinc
Mounting type	Screw mounting
Nominal diameter	14 mm
To fix to	Cylinder, cylinder rail

OTHER DATA

Suitable for fire protection areas	No
------------------------------------	----

DIMENSIONAL DRAWING



INSTALLATION



Mounting / Installation may only be carried out by a qualified electrician!

DISPOSAL



SAFETY WARNINGS

Before initial operation, please make sure to follow all safety instructions that may be provided in the product information!