

AM000029

ACCESSORIES • MOUNTING



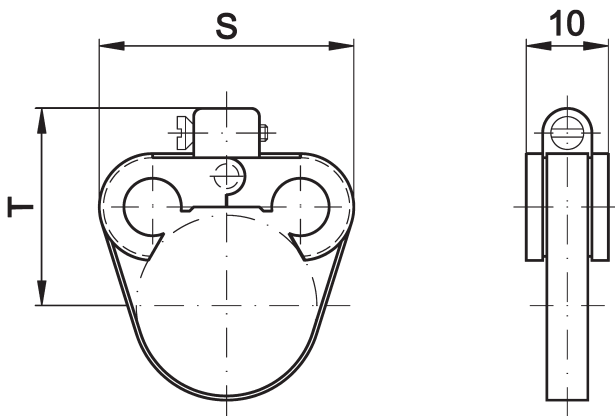
MECHANICAL DATA

Diameter	8 mm ... 10 mm
For sensor	9round
Nominal diameter	10 mm
To fix to	Cylinder, 8/10round

OTHER DATA

Suitable for fire protection areas	No
------------------------------------	----

DIMENSIONAL DRAWING



INSTALLATION



Mounting / Installation may only be carried out by a qualified electrician!

DISPOSAL



SAFETY WARNINGS

Before initial operation, please make sure to follow all safety instructions that may be provided in the product

information!