

AM000040

ACCESSORIES • MOUNTING



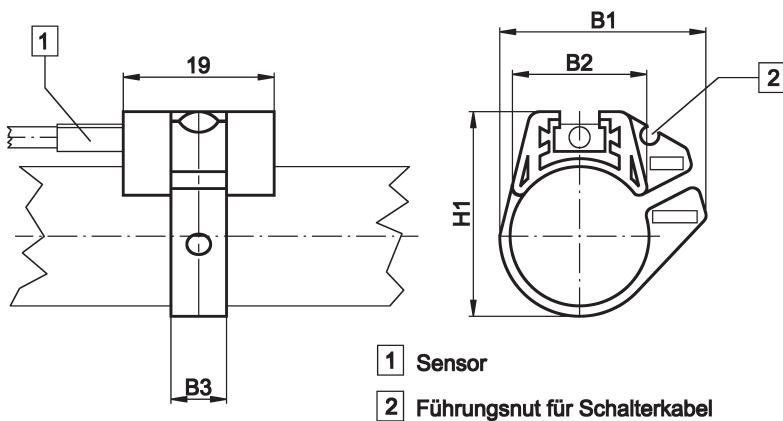
MECHANICAL DATA

For sensor	MZ07
Material	Plastic
Nominal diameter	16 mm
Surface	Untreated
To fix to	Cylinder, 16round

OTHER DATA

Suitable for fire protection areas	No
------------------------------------	----

DIMENSIONAL DRAWING



INSTALLATION



Mounting / Installation may only be carried out by a qualified electrician!

DISPOSAL



SAFETY WARNINGS

Before initial operation, please make sure to follow all safety instructions that may be provided in the product information!