

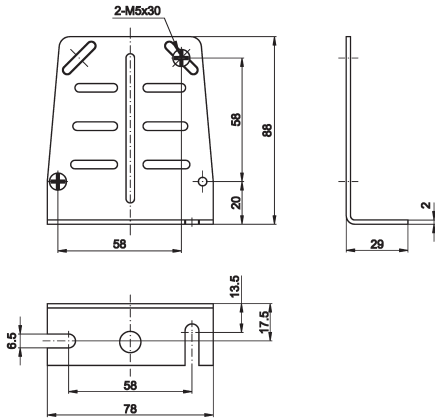
**AO000038****ACCESSORIES • MOUNTING****MECHANICAL DATA**

Ambient temperature	-20 °C ... 55 °C
Angle	90 °
Depth	29 mm
Diameter/width of the fastening holes for sensor	5.2 mm
Diameter/width of the fastening holes for sensor	6.5 mm
Height	88 mm
Length	29 mm
Material	Steel
Mounting type	Screw
Number of boreholes	3
Number of oblong holes	12
Painting	Black
Surface	Varnished
Thread pitch	0.5 mm
Thread size, metric	5
Version	Mounting angle bracket
Weight	100 kg
Width	78 mm

**OTHER DATA**

Scope of delivery	Mounting material for sensor, brackets
-------------------	--

## DIMENSIONAL DRAWING



## INSTALLATION



Mounting / Installation may only be carried out by a qualified electrician!

## DISPOSAL



## SAFETY WARNINGS

Before initial operation, please make sure to follow all safety instructions that may be provided in the product information!