

AO000045

ACCESSORIES • MOUNTING



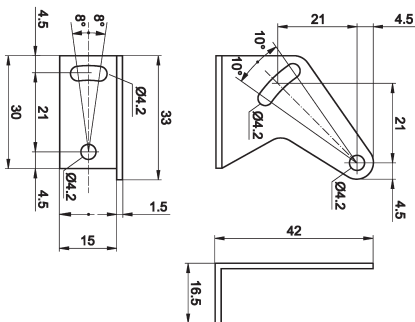
MECHANICAL DATA

Angle	90 °
Diameter/width of the fastening holes for sensor	4.2 mm
Diameter/width of the fastening holes for sensor	4.2 mm
Height	16.5 mm
Length	15 mm
Material	Steel
Mounting type	Screw
Number of boreholes	2
Number of oblong holes	2
Surface	Zinc coated
Version	Mounting angle bracket
Weight	20 kg
Width	42 mm

OTHER DATA

Scope of delivery	Mounting material for sensor, brackets
-------------------	--

DIMENSIONAL DRAWING



INSTALLATION



Mounting / Installation may only be carried out by a qualified electrician!

DISPOSAL



SAFETY WARNINGS

Before initial operation, please make sure to follow all safety instructions that may be provided in the product information!