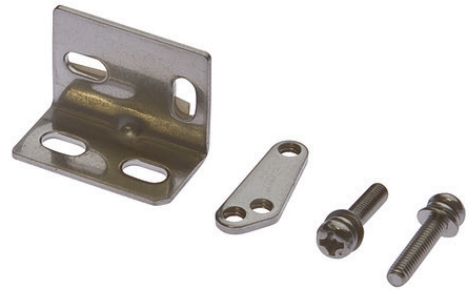


**AO000076**

**ACCESSORIES • MOUNTING**



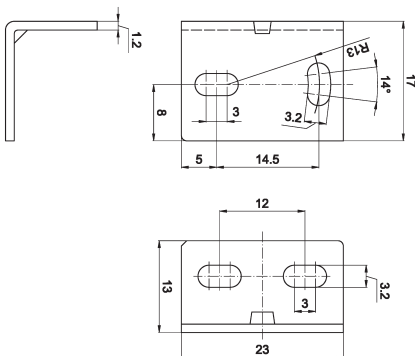
**MECHANICAL DATA**

Diameter/width of the fastening holes for sensor	3.2 mm
Diameter/width of the fastening holes for sensor	3.2 mm
Height	17 mm
Length	13 mm
Material	Steel
Mounting type	Screw
Number of oblong holes	4
Surface	Zinc coated
Thread pitch	0.5 mm
Thread size, metric	3
Version	Mounting angle bracket
Weight	10 kg
Width	23 mm

**OTHER DATA**

Scope of delivery	Mounting material for sensor, brackets
-------------------	--

**DIMENSIONAL DRAWING**



## INSTALLATION



Mounting / Installation may only be carried out by a qualified electrician!

## DISPOSAL



## SAFETY WARNINGS

Before initial operation, please make sure to follow all safety instructions that may be provided in the product information!