

AO000243

ACCESSORIES • MOUNTING



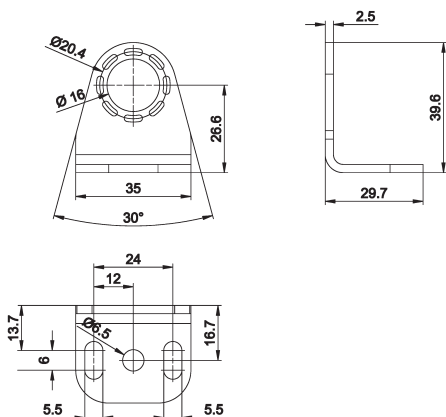
MECHANICAL DATA

Diameter/width of the fastening holes for sensor	5.5 mm
Diameter/width of the fastening holes for sensor	2 mm
Height	35 mm
Length	24 mm
Material	Steel
Mounting type	Screw
Number of boreholes	1
Number of oblong holes	2
Surface	Zinc coated
Version	Mounting angle bracket
Weight	115 kg
Width	29.7 mm

OTHER DATA

Scope of delivery	Mounting material for sensor, brackets
-------------------	--

DIMENSIONAL DRAWING



INSTALLATION



Mounting / Installation may only be carried out by a qualified electrician!

DISPOSAL



SAFETY WARNINGS

Before initial operation, please make sure to follow all safety instructions that may be provided in the product information!