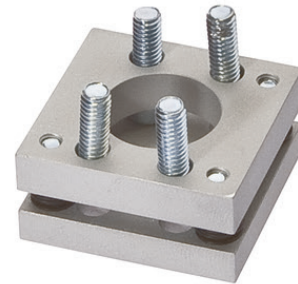


AP000018

ACCESSORIES • MOUNTING



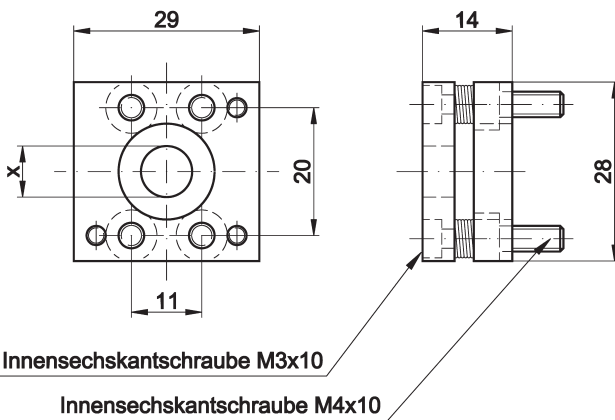
MECHANICAL DATA

Diameter/width of the fastening holes for sensor	4.5 mm
Height	14 mm
Length	28 mm
Material	Aluminium
Mounting type	Screw
Number of boreholes	4
Version	Flange
Weight	27 kg
Width	29 mm

OTHER DATA

Scope of delivery	Mounting material and precision flange
-------------------	--

DIMENSIONAL DRAWING



INSTALLATION

DISPOSAL



Mounting / Installation may only be carried out by a qualified electrician!



SAFETY WARNINGS

Before initial operation, please make sure to follow all safety instructions that may be provided in the product information!