

AP000023

ACCESSORIES • MOUNTING



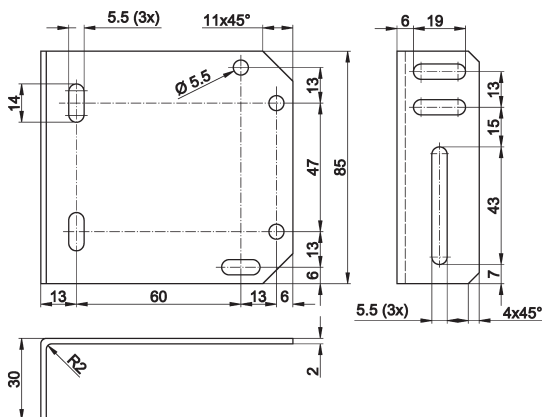
MECHANICAL DATA

Diameter/width of the fastening holes for sensor	5.5 mm
Diameter/width of the fastening holes for sensor	5.5 mm
Height	85 mm
Length	92 mm
Material	Steel
Mounting type	Screw
Number of boreholes	3
Number of oblong holes	5
Surface	Zinc coated
Version	Mounting angle bracket
Weight	144 kg
Width	30 mm

OTHER DATA

Scope of delivery	Angle
-------------------	-------

DIMENSIONAL DRAWING



INSTALLATION



Mounting / Installation may only be carried out by a qualified electrician!

DISPOSAL



SAFETY WARNINGS

Before initial operation, please make sure to follow all safety instructions that may be provided in the product information!