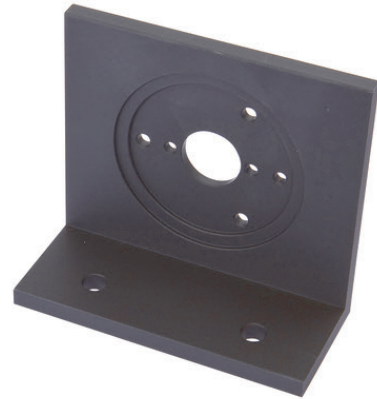


AV000029

ACCESSORIES • LINEAR AND ANGULAR MEASUREMENT



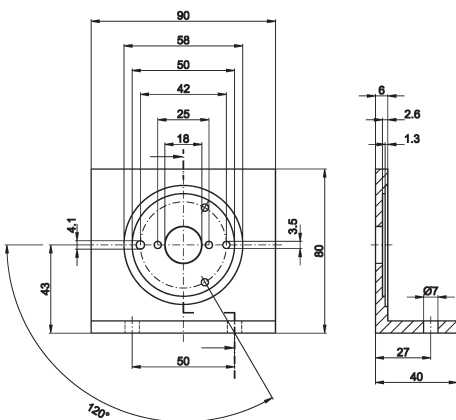
MECHANICAL DATA

Diameter/width of the fastening holes for sensor	7 mm
Height	80 mm
Length	40 mm
Material	Aluminium
Mounting type	Screw
Number of boreholes	9
Painting	Black
Surface	Anodised
Version	Mounting angle bracket
Weight	142 kg
Width	90 mm

OTHER DATA

Scope of delivery	Angle
-------------------	-------

DIMENSIONAL DRAWING



INSTALLATION

DISPOSAL



Mounting / Installation may only be carried out by a qualified electrician!



SAFETY WARNINGS

Before initial operation, please make sure to follow all safety instructions that may be provided in the product information!