

**AV000030**

**ACCESSORIES • LINEAR AND ANGULAR MEASUREMENT**



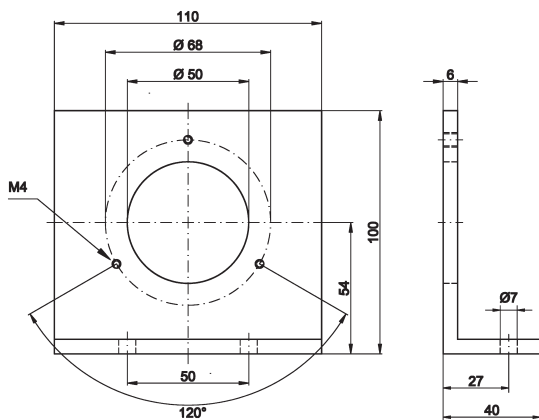
**MECHANICAL DATA**

Diameter/width of the fastening holes for sensor	7 mm
Height	100 mm
Length	40 mm
Material	Aluminium
Mounting type	Screw
Number of boreholes	3
Painting	Black
Surface	Anodised
Version	Mounting angle bracket
Weight	202 kg
Width	110 mm

**OTHER DATA**

Scope of delivery	Angle
-------------------	-------

**DIMENSIONAL DRAWING**



**INSTALLATION**

**DISPOSAL**



Mounting / Installation may only be carried out by a qualified electrician!



**SAFETY WARNINGS**

Before initial operation, please make sure to follow all safety instructions that may be provided in the product information!