

AY000058

ACCESSORIES • MOUNTING



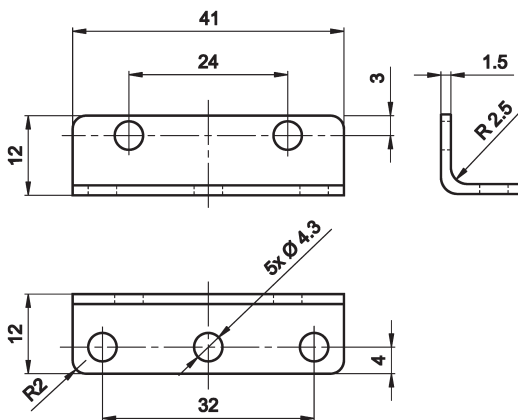
MECHANICAL DATA

Diameter/width of the fastening holes for sensor	4.2 mm
Height	12 mm
Length	12 mm
Material	Plastic
Mounting type	Screw
Number of boreholes	5
Thread pitch	0.7 mm
Thread size, metric	4
Version	Mounting angle bracket
Weight	6 kg
Width	41 mm

OTHER DATA

Scope of delivery	Mounting material for sensor, brackets
-------------------	--

DIMENSIONAL DRAWING



INSTALLATION

DISPOSAL



Mounting / Installation may only be carried out by a qualified electrician!



SAFETY WARNINGS

Before initial operation, please make sure to follow all safety instructions that may be provided in the product information!