

**AY000135**

**ACCESSORIES • MOUNTING**



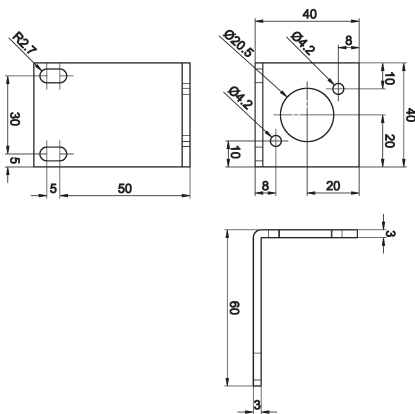
**MECHANICAL DATA**

Diameter/width of the fastening holes for sensor	2.7 mm
Height	60 mm
Length	40 mm
Mounting type	Screw
Number of boreholes	2
Number of oblong holes	2
Thread pitch	0.7 mm
Thread size, metric	4
Version	Mounting angle bracket
Weight	79 kg
Width	40 mm

**OTHER DATA**

Scope of delivery	Mounting material for sensor, brackets
-------------------	--

**DIMENSIONAL DRAWING**



**INSTALLATION**

**DISPOSAL**



Mounting / Installation may only be carried out by a qualified electrician!



## SAFETY WARNINGS

Before initial operation, please make sure to follow all safety instructions that may be provided in the product information!