

**VK003071**

**CONNECTION TECHNOLOGY • CABLE SOCKETS FIELD-ATTACHABLE**

ipf cable sockets are used primarily for establishing the electrical connection of sensors. Their features are characterized by rugged design, the highest protection classes (IP67 | IP68 | IP69K) and, if desired, with 360° shielding. With the features: bus-ready, suitable for use with drag chains and robots, resistance to oil and chemicals, resistance to welding sparks, their resistance to cleaning agents or high-pressure and steam-jet cleaning, the expanded temperature range of up to +230°C, the rapid interconnection technology and special data transmission properties, the cable sockets meet all requirements in automation technology.



**MECHANICAL DATA**

Contact body material	CuSn
Contact coating material	Au
Degree of protection (IP)	IP67
Housing material	Brass
Number of wires	4
Perm. ambient temperature of cable, fixed cable	-40 °C ... 85 °C
Positioning of cable feed, field side	Angled
Suitable for trailing chain	Yes
Wire cross section	0.25 mm <sup>2</sup>

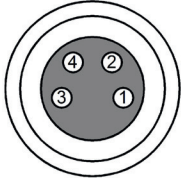
**ELECTRICAL DATA**

Number of pins	4
Rated current I <sub>n</sub>	4 A
Rated voltage	30 V
Suitable for self-assembly	Yes
Type of electrical connection, field side	M8
Type of plug-in contact, field side	Female (socket)

**OTHER DATA**

Flame resistant	No
IR-networked	No

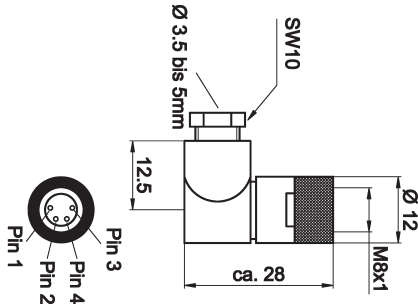
## CONNECTION



**Colors:** 1 = BN (brown), 2 = WH (white), 3 = BU (blue), 4 = BK (black)

**Functions:**

## DIMENSIONAL DRAWING



## INSTALLATION



Mounting / Installation may only be carried out by a qualified electrician!

## DISPOSAL



## SAFETY WARNINGS

Before initial operation, please make sure to follow all safety instructions that may be provided in the product information!