

VK003Y29

CONNECTION TECHNOLOGY • CABLE SOCKETS FIELD-ATTACHABLE

ipf cable sockets are used primarily for establishing the electrical connection of sensors. Their features are characterized by rugged design, the highest protection classes (IP67 | IP68 | IP69K) and, if desired, with 360° shielding. With the features: bus-ready, suitable for use with drag chains and robots, resistance to oil and chemicals, resistance to welding sparks, their resistance to cleaning agents or high-pressure and steam-jet cleaning, the expanded temperature range of up to +230°C, the rapid interconnection technology and special data transmission properties, the cable sockets meet all requirements in automation technology.



MECHANICAL DATA

Ambient temperature	-40 °C ... 85 °C
Contact body material	CuZn
Contact coating material	Gold
Degree of protection (IP)	IP67
Housing material	Zinc die-cast
Positioning of cable feed, housing side	Straight
Wire cross section	0.75 mm ²

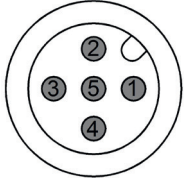
ELECTRICAL DATA

Flow resistance	3 mOhm
Number of pins	5
Rated current I _n	4 A
Rated voltage	60 V
Shielded	Yes
Suitable for self-assembly	Yes
Type of electrical connection, housing side	M12
Type of plug-in contact, housing side	Male (plug)
With LED display	No

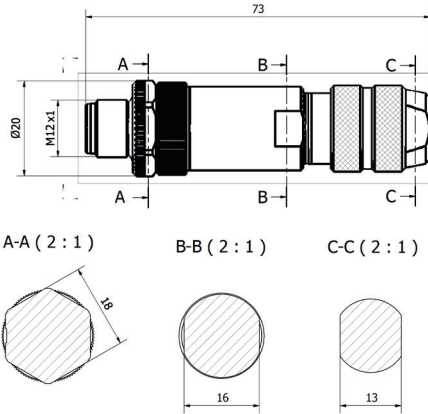
OTHER DATA

Flame resistant	No
Halogen-free	No
IR-networked	No

CONNECTION



DIMENSIONAL DRAWING



INSTALLATION



Mounting / Installation may only be carried out by a qualified electrician!

DISPOSAL



SAFETY WARNINGS

Before initial operation, please make sure to follow all safety instructions that may be provided in the product information!