

VK15E187

CONNECTION TECHNOLOGY • CABLE SOCKETS /CONNECTORS TWO-SIDED PRE-ASSEMBLED

ipf cable sockets are used primarily for establishing the electrical connection of sensors. Their features are characterized by rugged design, the highest protection classes (IP67 | IP68 | IP69K) and, if desired, with 360° shielding. With the features: bus-ready, suitable for use with drag chains and robots, resistance to oil and chemicals, resistance to welding sparks, their resistance to cleaning agents or high-pressure and steam-jet cleaning, the expanded temperature range of up to +230°C, the rapid interconnection technology and special data transmission properties, the cable sockets meet all requirements in automation technology.



MECHANICAL DATA

Ambient temperature	-30 °C ... 85 °C
Cable length	1.5 m
Cable sheath color	Black
Contact coating material	Gold
Degree of protection (IP)	IP67
Material of cable sheath	PUR (Polyurethane)
Max. tightening torque	0.5 Nm
Number of wires	3
Perm. ambient temperature of cable, fixed cable	-40 °C ... 85 °C
Perm. ambient temperature of cable, flexible cable	-30 °C ... 85 °C
Positioning of cable feed, field side	Angled
Positioning of cable feed, housing side	Straight
Suitable for trailing chain	Yes
Wire assembly	42 x 0.1mm
Wire cross section	0.34 mm ²

ELECTRICAL DATA

Ampacity	3 A
Flow resistance	10 mOhm
Line diameter	4.3 mm
Nominal supply voltage	30 V
Number of pins	3
Rated current I _n	3 A
Rated voltage	30 V
Shielded	No
Type of cable	Multi-core
Type of electrical connection, field side	M8
Type of electrical connection, housing side	Binder 680
Type of plug-in contact, field side	Female (socket)
Type of plug-in contact, housing side	Male (plug)
With LED display	Yes

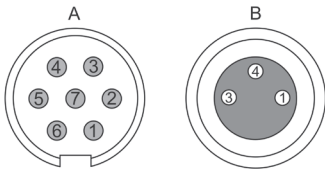
OPTICAL DATA

Degree of soiling	2
-------------------	---

OTHER DATA

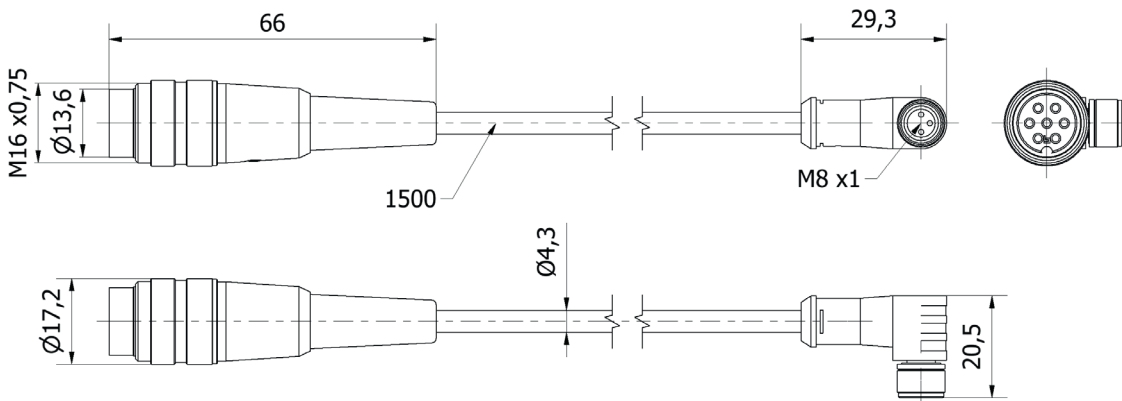
Flame resistant	No
Halogen-free	Yes
IR-networked	No
Oil and cooling lubricants	Yes
Silicone-free	Yes
Welding area	Yes

CONNECTION



Colors: A: 1 = BK (black), 5 = BU (blue), 6 = BN (brown)
 B: 1 = BN (brown), 3 = BU (blue), 4 = BK (black)
Functions:

DIMENSIONAL DRAWING



INSTALLATION



Mounting / Installation may only be carried out by a qualified electrician!

DISPOSAL



SAFETY WARNINGS

Before initial operation, please make sure to follow all safety instructions that may be provided in the product information!

