

VK200361

CONNECTION TECHNOLOGY • CABLE SOCKETS /CONNECTORS ONE-SIDED PRE-ASSEMBLED

ipf cable sockets are used primarily for establishing the electrical connection of sensors. Their features are characterized by rugged design, the highest protection classes (IP67 | IP68 | IP69K) and, if desired, with 360° shielding. With the features: bus-ready, suitable for use with drag chains and robots, resistance to oil and chemicals, resistance to welding sparks, their resistance to cleaning agents or high-pressure and steam-jet cleaning, the expanded temperature range of up to +230°C, the rapid interconnection technology and special data transmission properties, the cable sockets meet all requirements in automation technology.



MECHANICAL DATA

Cable length	2 m
Degree of protection (IP)	IP67
Material of cable sheath	PUR (Polyurethane)
Number of wires	4
Perm. ambient temperature of cable, fixed cable	-25 °C ... 80 °C
Positioning of cable feed, field side	Angled
Suitable for trailing chain	Yes
Wire cross section	0.14 mm ²

ELECTRICAL DATA

Number of pins	4
Rated voltage	125 V
Shielded	No
Type of electrical connection, field side	M5
Type of plug-in contact, field side	Female (socket)

OTHER DATA

Flame resistant	No
Halogen-free	Yes
IR-networked	No
Oil and cooling lubricants	Yes

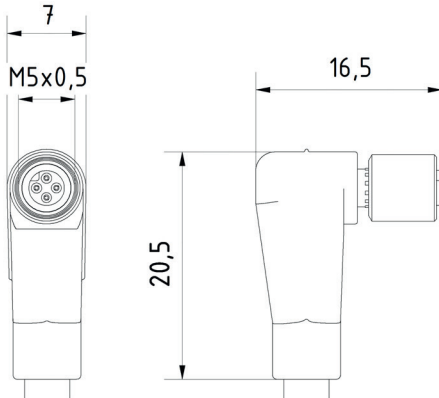
CONNECTION



Colors: 1 = BN (brown), 2 = WH (white), 3 = BU (blue), 4 = BK (black)

Functions:

DIMENSIONAL DRAWING



INSTALLATION



Mounting / Installation may only be carried out by a qualified electrician!

DISPOSAL



SAFETY WARNINGS

Before initial operation, please make sure to follow all safety instructions that may be provided in the product information!