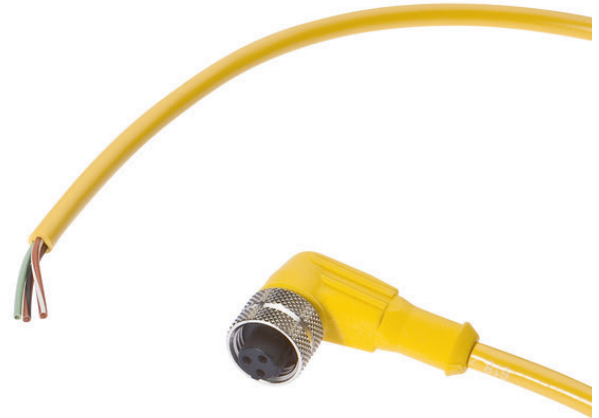


**VK201030**

**CONNECTION TECHNOLOGY • CABLE SOCKETS /CONNECTORS ONE-SIDED PRE-ASSEMBLED**

ipf cable sockets are used primarily for establishing the electrical connection of sensors. Their features are characterized by rugged design, the highest protection classes (IP67 | IP68 | IP69K) and, if desired, with 360° shielding. With the features: bus-ready, suitable for use with drag chains and robots, resistance to oil and chemicals, resistance to welding sparks, their resistance to cleaning agents or high-pressure and steam-jet cleaning, the expanded temperature range of up to +230°C, the rapid interconnection technology and special data transmission properties, the cable sockets meet all requirements in automation technology.



**MECHANICAL DATA**

Cable length	2 m
Degree of protection (IP)	IP67
Material of cable sheath	PVC
Number of wires	3
Perm. ambient temperature of cable, fixed cable	-25 °C ... 80 °C
Positioning of cable feed, field side	Straight
Positioning of cable feed, housing side	Straight
Wire assembly	19 x 0.16mm
Wire cross section	0.34 mm <sup>2</sup>

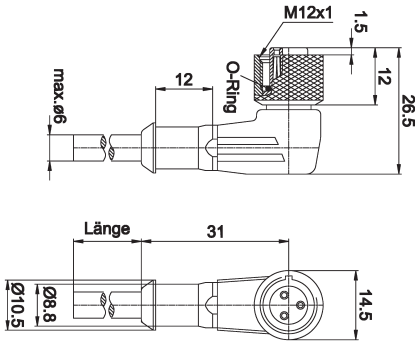
**ELECTRICAL DATA**

Flow resistance	5 mOhm
Line diameter	5 mm
Number of pins	3
Rated current I <sub>n</sub>	4 A
Rated voltage	250 V
Type of electrical connection, field side	MC
Type of electrical connection, housing side	Free conductor end
Type of plug-in contact, field side	Female (socket)
With LED display	No

**OTHER DATA**

IR-networked	No
--------------	----

## DIMENSIONAL DRAWING



## INSTALLATION



Mounting / Installation may only be carried out by a qualified electrician!

## DISPOSAL



## SAFETY WARNINGS

Before initial operation, please make sure to follow all safety instructions that may be provided in the product information!