

dimensions	2m 5m 10m	
design	M12 3-pin M12 3-pin	straight angular



- ✓ silicone-free
- ✓ suitable for trailing chain
- ✓ M12, straight and angular
- ✓ 3-pin assignment
- ✓ degree of protection IP67

**high temperature-cable sockets
temperature range up to +150°C**



desription

Inductive high temperature sensors for an enlarged operating range up to +150°C with M12-connector have been available for many years at *ipf electronic*. Now we can also offer you appropriate cable sockets for this temperature range.

The cable contains three wires, while the wire cross-section is 0.34mm². The outer sheath of these cable sockets consists of electron beam cross-linked polyolefin copolymer and is silicone-free, of course. They are suitable for an installation in trailing chains.

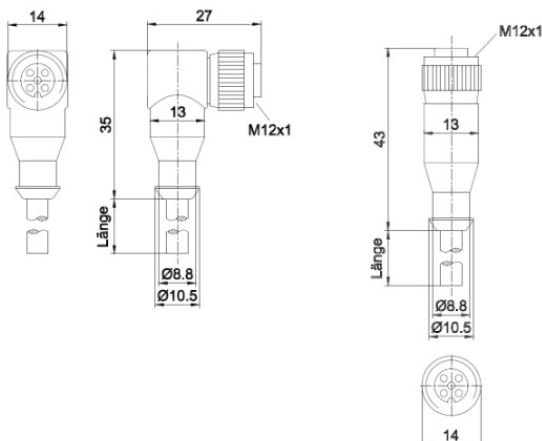
In case of flexible cable installation a minimum bending radius of 5 x Ø has to be observed.

The cable sockets are available in lengths of 2, 5 and 10m, each in straight and angular version.

The degree of protection is IP67.

application examples

- ▶ ideal for use in high temperature environment and heavy meachanical load
- ▶ use with *ipf*-high temperature sensors



Version	angular	straight
article-no.	VK20H022	VK20H026
length	2m	2m
article-no.	VK50H022	VK50H026
length	5m	5m
article-no.	VKA0H022	VKA0H026
length	10m	10m