

**Model Number****IPH-FP7V4A**

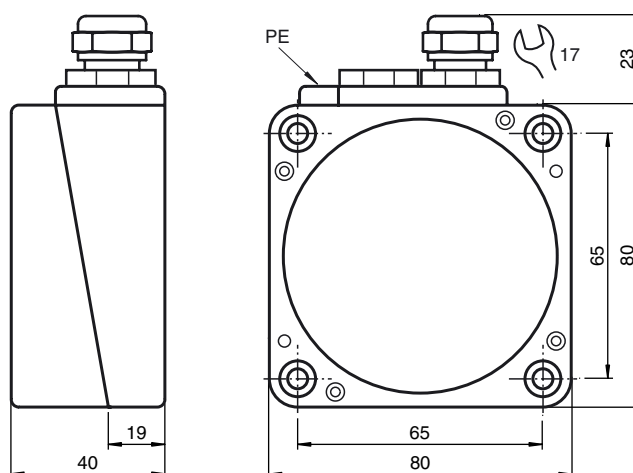
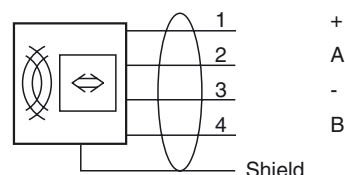
LF read/write head for IDENTControl

Features

- Dual-LED for function display
- Stainless steel housing
- Resistant against cleaning material
- Connection via terminal compartment
- Degree of protection IP67 / IP68 / IP69K

Accessories**AB-FP**

Mounting bracket

Dimensions**Electrical connection****Technical data****General specifications**

Operating frequency	125 kHz
Transfer rate	2 kBit/s
Sensing range	
Read distance	0 ... 100 mm
Write distance	0 ... 80 mm
Width	max. 80 mm
Operating distance	maximum: 100 mm
UL File Number	E87056

Indicators/operating means

LED green/yellow	green: power on green flashing: read/write attempt performed yellow: data carrier detected
------------------	--

Electrical specifications

Power consumption	P_0	≤ 1.2 W
Supply		from the IDENTControl

Ambient conditions

Ambient temperature	-25 ... 70 °C (-13 ... 158 °F)
Storage temperature	-40 ... 85 °C (-40 ... 185 °F)

Mechanical specifications

Degree of protection	IP69K
Connection	terminal compartment, ≤ 2.5 mm ² conductor csa
Material	
Housing	PBT
Base	stainless steel V4A
Encapsulation compound	Fermadur
Installation	
Distance between two heads	Multiplex on: ≥ 100 mm Multiplex off: ≥ 550 mm
Mass	approx. 700 g

Compliance with standards and directives

Directive conformity	
R&TTE Directive 1995/5/EC	EN 301489-1 V1.8.1 (2008-04), EN 301489-3 V1.4.1 (2002-08), EN 300330-2 V1.3.1 (2006-04), EN 60950-1:2006
Standard conformity	
Electromagnetic compatibility	EN 61326
Degree of protection	EN 60529