



Model Number

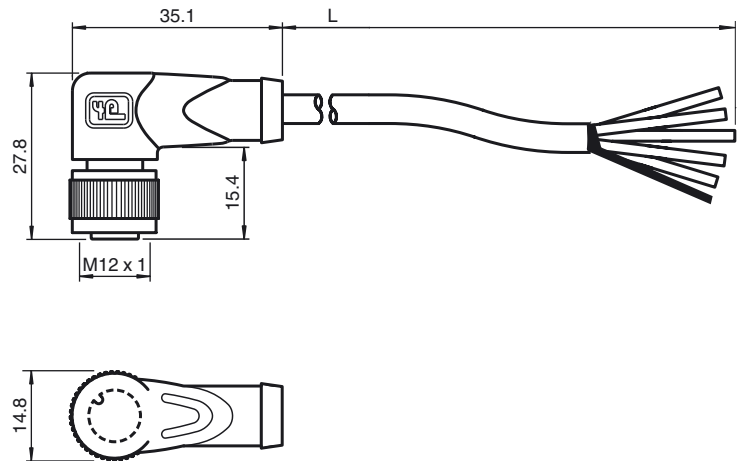
V15-W-5M-PUR-ABG

Female cordset, M12, 5-pin, shielded, PUR cable

Features

- Knurled nut suitable for tool assembly
- Immunity to vibration, with mechanical latching
- Shield attached to coupling nut
- Gold plated contacts
- Halogen-free

Dimensions



Technical data

General specifications

Number of pins 5 + shield

Electrical specifications

Operating voltage U_B max. 60 V AC/DC
 Operating current I_B max. 4 A
 Volume resistance < 5 m Ω

Ambient conditions

Ambient temperature Body: -40 ... 90 °C (-40 ... 194 °F)
 cable, flexing: -25 ... 100 °C (-13 ... 212 °F)
 cable, fixed: -25 ... 100 °C (-13 ... 212 °F)

Pollution Degree 3

Mechanical specifications

Contact elements spring-loaded contact socket
 Pin diameter 1 mm
 Degree of protection IP67

Material

Contacts CuSn / Au
 Contact surface Au
 Body TPU, black
 Cable PUR
 Slotted nut Diecast zinc
 Core insulation PP
 Cable extra-fine wire, flexible
 Sheath diameter \varnothing 4.8 mm
 Bending radius > 10 x cable diameter, moving
 Color grey
 Cores 5 x 0.34 mm²
 Conductor construction 42 x 0.1 mm \varnothing
 Shield grid covering 85 %
 Length L 5 m

Flammability

Contact material HB
 Housing V-2

Compliance with standards and directives

Standard conformity
 Degree of protection EN 60529:2000
 Standards IEC 61076-2-101:2008
 Flammability Grip: UL 94

Electrical connection

