

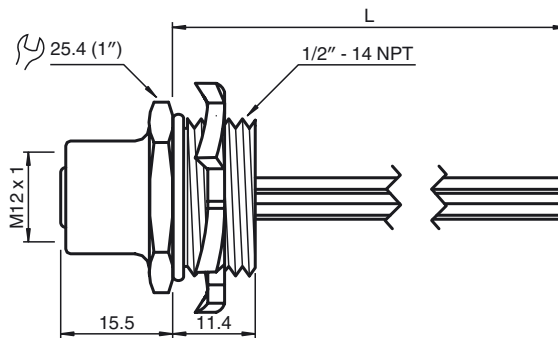


### Model Number

**1/2" NPT-V1-G-.3M**

Female receptacle, M12/ 1/2" NPT, 4-pin

## Dimensions



## Technical data

### General specifications

Number of pins	4
Construction type	straight
Connection 1	socket
Threading 1	M12
Connection 2	cable end
Threading 2	1/2"

### Electrical specifications

Operating voltage	$U_B$	max. 300 V AC/DC
Operating current		max. 4 A

### Ambient conditions

Ambient temperature	-40 ... 105 °C (-40 ... 221 °F)
---------------------	---------------------------------

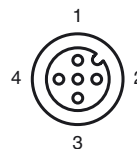
### Mechanical specifications

Degree of protection	IP67
Connection	Single strand leads
Material	anodized aluminum
Contacts	Gold plated copper alloy
Slotted nut	Zinc plated steel
Seal	BUNA-N
Cable	
Cores	4 x 0.34 mm <sup>2</sup> , 22 AWG
Length	L 0.3 m
Note	1/2" - 14 NPT installation thread

### Approvals and certificates

UL approval	cULus Listed, General Purpose
-------------	-------------------------------

## Electrical connection



## Electrical connection

1	.....	BN
2	.....	WH
3	.....	BU
4	.....	BK