

Datasheet - SCG01.103

Safety switch with separate actuator / SCG



- Metal enclosure
- 50 mm x 120 mm x 43 mm
- Long life
- Head positioned to the front

(Minor differences between the printed image and the original product may exist!)

Ordering details

Product type description	SCG01.103
Article number	101020914
EAN Code	
eCI@ss	27-27-26-02

Approval

Approval



Classification

Standards	EN ISO 13849-1
B10d Normally-closed contact (NC)	2.000.000
B10d Normally open contact (NO)	1.000.000
Mission time	20 Years
notice	$MTTF_d = \frac{B_{10d}}{0,1 \times n_{op}}$ $n_{op} = \frac{d_{op} \times h_{op} \times 3600 \text{ s/h}}{t_{cycle}}$

Global Properties

Permanent light	SCG
-----------------	-----

Standards	EN 60947-5-1, BG-GS-ET-15, EN 1088
Compliance with the Directives (Y/N) 	Yes
Materials	
- Material of the housings	Aluminium
- Material of the contacts	Silver
Housing coating	painted
Weight	325

Mechanical data

Design of electrical connection	Screw connection
Cable section	
- Min. Cable section	0,5
- Max. Cable section	2.5
Mechanical life	1.000.000 operations
notice	All indications about the cable section are including the conductor ferrules.
higher Latching force (Y/N)	No
Positive break force	5 N for each NC contact fitted
positive break travel	11

Ambient conditions

Ambient temperature	
- Min. environmental temperature	-25
- Max. environmental temperature	+70
Protection class	IP67 to IEC/EN 60529

Electrical data

Design of control element	Normally open contact (NO), Opener (NC)
Switching principle	Creep circuit element
Number of auxiliary contacts	1
Number of safety contacts	1
Rated impulse withstand voltage	2.5
Rated insulation voltage	400
Thermal test current	10 A
Utilisation category	AC-15: 230 V / 8 A DC-13: 24 V / 5 A
Max. fuse rating	10 A gG D-fuse

ATEX

Explosion protection categories for gases	None
Explosion protected category for dusts	None

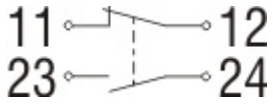
Dimensions

Dimensions of the sensor	
- Width of sensor	50
- Height of sensor	120
- Length of sensor	43

Included in delivery

Actuators must be ordered separately.

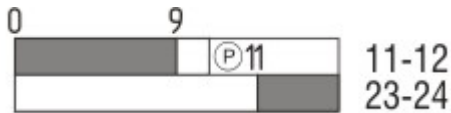
Diagram



Note Diagram

- positive break NC contact
- active
- no active
- Normally-open contact
- Normally-closed contact

Switch travel diagram



Notes Switch travel diagram

- Contact closed
 - Contact open
 - Setting range
 - Break point
 - Positive opening sequence/- angle
- VS** adjustable range of NO contact
VÖ adjustable range of NC contact
N after travel

Ordering code

SCG(1)/(2)

(1)

1.0	Head positioned to the front
02	Head positiones to the left
3.0	Head positioned to the right
04	Head positioned to the rear

(2)

103	1 Opener (NC) / 1 Normally open contact (NO) Creep circuit element
220	2 Opener (NC) Creep circuit element
92	1 Opener (NC) / 1 Normally open contact (NO) Snap switch element

Documents

Operating instructions and Declaration of conformity (it) 282 kB, 28.11.2017

Code: mrl_shg-scg-sdg_it

Operating instructions and Declaration of conformity (jp) 632 kB, 05.07.2011

Code: mrl_shg-scg-sdg_jp

Operating instructions and Declaration of conformity (fr) 291 kB, 28.11.2017

Code: mrl_shg-scg-sdg_fr

Operating instructions and Declaration of conformity (de) 454 kB, 08.11.2017

Code: mrl_shg-scg-sdg_de

Operating instructions and Declaration of conformity (nl) 287 kB, 28.11.2017

Code: mrl_shg-scg-sdg_nl

Operating instructions and Declaration of conformity (pl) 322 kB, 28.11.2017

Code: mrl_shg-scg-sdg_pl

Operating instructions and Declaration of conformity (da) 286 kB, 14.11.2017

Code: mrl_shg-scg-sdg_da

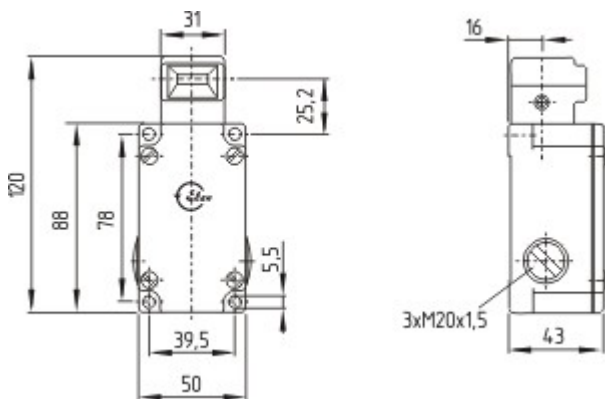
Operating instructions and Declaration of conformity (es) 287 kB, 14.11.2017

Code: mrl_shg-scg-sdg_es

Operating instructions and Declaration of conformity (en) 332 kB, 08.11.2017

Code: mrl_shg-scg-sdg_en

Images



Dimensional drawing (basic component)

System components

Actuator



101025451 - BOF/HIS.2

- Minimum actuating radius 400 mm
- Flexible actuator



101025450 - BOF/HIS.1

- Minimum actuating radius 400 mm
 - Flexible actuator
-



101014463 - BOWR

- Minimum actuating radius 350 mm
 - Angled actuator
-



101014461 - BOR

- Minimum actuating radius 350 mm
 - Straight actuator
-



101014462 - BOW

- Minimum actuating radius 400 mm
 - Angled actuator
-



101014460 - BO

- Minimum actuating radius 400 mm
 - Straight actuator
-

K.A. Schmersal GmbH & Co. KG, Mödinghofe 30, D-42279 Wuppertal

The data and values have been checked thoroughly. Technical modifications and errors excepted.

Generiert am 13.02.2019 - 14:39:54h Kasbase 3.3.0.F.64I