

## Datasheet - AV 15LX30U 45 GR.N

Door locking devices / AV 15



(Minor differences between the printed image and the original product may exist!)

- left-hand model
- for 1-leaf doors
- Fail-safe locking system
- Metal enclosure
- authorised for use in passenger elevators
- Manual release by means of M5 triangular key

### Ordering details

Product type description	AV 15LX30U 45 GR.N
Article number	101084139
EAN Code	4030661011493
eCl@ss	27-27-26-03

### Approval

Approval



### Global Properties

Permanent light	AV 15
Standards	EN 81-20, EN 81-50
Compliance with the Directives (Y/N)	Yes
Suitable for safety functions (Y/N)	Yes
Mounting	rear-side mounting holes
Number of door leaves	1
Materials	
- Material of the housings	light alloy die-casting
- Material of the contacts	Silver
- Locking bolt material	Brass
Weight	730
Latching bolt bevelling	45 bottom

### Mechanical data

Cable entry	without cable gland
Design of actuating element	Pull strap
Orientation / Alignment	left-hand model
With fail-safe locking system (Y/N)	Yes
Manual release (Y/N)	Yes

Permanent magnet

Ceramic oxide magnet with high coercive field strength

## Ambient conditions

---

### Ambient temperature

- Min. environmental temperature -15
- Max. environmental temperature +70

Protection class IP20

## Electrical data

---

Design of control element	Opener (NC)
Switching principle	Slow action
- positive break NC contact 	
Number of auxiliary contacts	0
Number of safety contacts	1
Rated impulse withstand voltage	6
Rated insulation voltage	400
Thermal test current	10 A
Utilisation category	AC-15: 230 V / 2 A, DC-13: 200 V / 2 A
Max. fuse rating	6 A (slow blow)

## Dimensions

---

### Dimensions

- Width 165
- Height 80
- Depth 36

### Dimensions of the latching bolt

- Diameter of the latching bolt 18
- X-dimension of the latching bolt 30

notice

### X-dimension of the latching bolt:

The overall latching bolt length is the result of the prescribed insertion depth of the latching bolt into the door leaf of 21 mm and the X-dimension. The X-dimension is the distance between the enclosure bottom of the door locking and the door top.

## Accessories

---

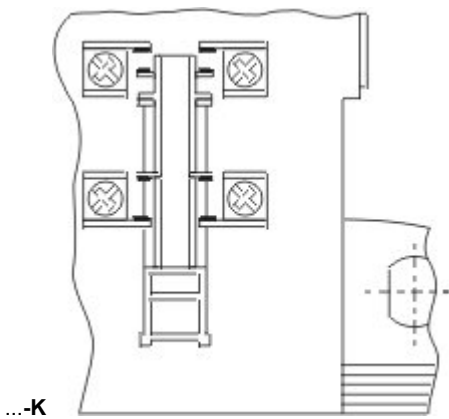
notice	Manual release using triangular key M5 available as accessory
notice	Solenoid SOL-AV15/AV18 for electrical actuation available as accessory

## Ordering suffix

---

The applicable ordering suffix is added at the end of the part number of the safety switch.

Order example: AV 15LX30U 45 GR.N-K



The auxiliary contact K shows the top position of the switch. This enables detecting which guard is unlocked. It is always the top contact.

...-GB215

additional front-side M8 mounting holes

## Ordering code

---

AV 15(1)(2)(3)(4)(5)(6)(7) 45 GR.N(8)

(1)

L left-hand model  
R right-hand model

(2)

without

H Roller H65  
H92 Roller H92  
H105 Roller H105  
B Bearing block B  
B2 Bearing block B2

(3)

without

K without Auxiliary contact  
with Auxiliary contact

(4)

without

IP41 Protection class IP20  
Protection class IP41

(5)

without

E4 without cable gland  
cable gland M20  
E1 Cable entry

(6)

X... = 11, 5, 20, 30, 40, 45 mm

(7)

U 45° bottom  
D 45° cover-side  
L/R 45° 1 x left / 1 x right,

(8)

GB215

## Documents

---

Operating instructions and Declaration of conformity (nl) 435 kB, 26.06.2018

Code: mrl\_av15\_nl

**Operating instructions and Declaration of conformity** (pt) 419 kB, 08.03.2017

Code: mrl\_av15\_pt

**Operating instructions and Declaration of conformity** (pl) 433 kB, 17.02.2017

Code: mrl\_av15\_pl

**Operating instructions and Declaration of conformity** (de) 404 kB, 06.12.2016

Code: mrl\_av15\_de

**Operating instructions and Declaration of conformity** (es) 418 kB, 12.01.2017

Code: mrl\_av15\_es

**Operating instructions and Declaration of conformity** (cn) 501 kB, 11.05.2017

Code: mrl\_av15\_cn

**Operating instructions and Declaration of conformity** (en) 616 kB, 18.10.2016

Code: mrl\_av15\_en

**Operating instructions and Declaration of conformity** (it) 418 kB, 12.01.2017

Code: mrl\_av15\_it

**Operating instructions and Declaration of conformity** (fr) 422 kB, 12.01.2017

Code: mrl\_av15\_fr

**Operating instructions and Declaration of conformity** (jp) 506 kB, 22.08.2017

Code: mrl\_av15\_jp

**BG-test certificate** (de) 247 kB, 12.05.2016

Code: \_av15p01

**BG-test certificate** (en) 239 kB, 12.05.2016

Code: \_av15p02

**CCC certification** (en) 2 MB, 29.10.2018

Code: q\_av1p02

**CCC certification** (cn) 2 MB, 29.10.2018

Code: q\_av1p03

**EAC certification** (ru) 2 MB, 03.12.2018

Code: q\_0010p17\_ru

**notice** (es) 1 MB, 09.02.2012

Code: s\_aufp01\_es

**notice** (en) 487 kB, 09.02.2012

Code: s\_aufp01\_en

**notice** (fr) 1 MB, 09.02.2012

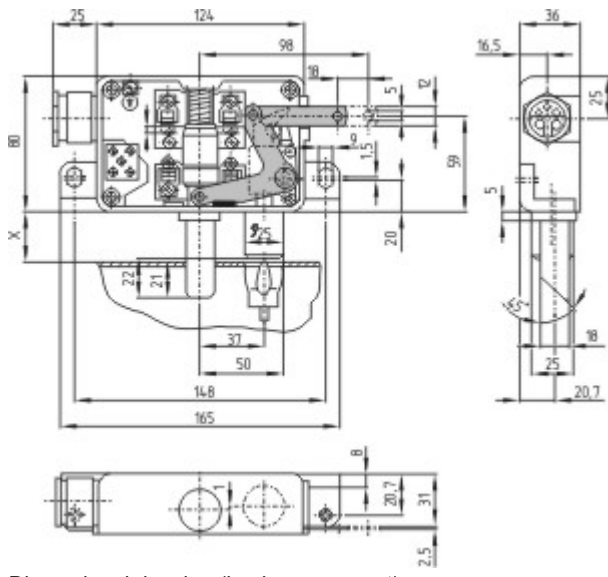
Code: s\_aufp01\_fr

**notice** (it) 1 MB, 09.02.2012

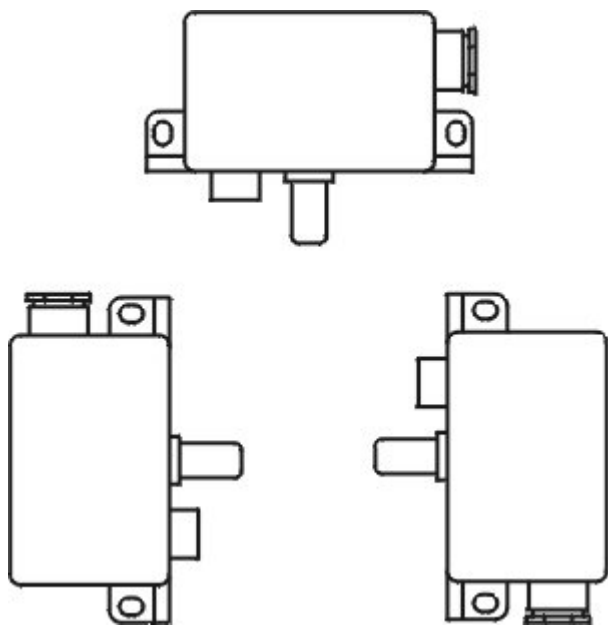
Code: s\_aufp01\_it

**notice** (de) 1 MB, 09.02.2012

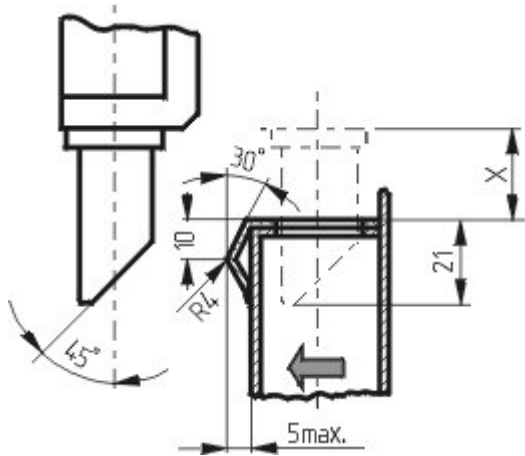
Images



Dimensional drawing (basic component)



Assembly example



Assembly example

K.A. Schmersal GmbH & Co. KG, Möddinghofe 30, D-42279 Wuppertal

The data and values have been checked thoroughly. Technical modifications and errors excepted.

Generiert am 13.02.2019 - 12:59:20h Kasbase 3.3.0.F.64I