

Datasheet - AZ 3350-B6H

Safety switch with separate actuator / AZ 3350 / Actuator



Preferred typ

- Particularly suitable for hinged guards



(Minor differences between the printed image and the original product may exist!)

Ordering details

Product type description	AZ 3350-B6H
Article number	101214073
EAN Code	4030661398068
eCl@ss	27-27-92-16

Global Properties

Permanent light	Beweglicher Betätiger B6H
Weight	380

Mechanical data

Design of actuators	flexible
Minimum actuating radius	400 mm

notice

On hinged guards, minimum actuating radius at 90° to the plane of the actuator 650 mm
minimum actuating radius on hinged guards in line with the plane of the actuator 400 mm
The axis of the hinge should be 49 mm above the top edge of the safety switch and in the same plane

Documents

Operating instructions and Declaration of conformity (es) 170 kB, 11.04.2012

Code: mrl_az-3350-betaetiger_es

Operating instructions and Declaration of conformity (it) 169 kB, 11.04.2012

Code: mrl_az-3350-betaetiger_it

Operating instructions and Declaration of conformity (cs) 156 kB, 13.08.2012

Code: mrl_az-3350-betaetiger_cs

Operating instructions and Declaration of conformity (da) 170 kB, 11.04.2012

Code: mrl_az-3350-betaetiger_da

Operating instructions and Declaration of conformity (jp) 210 kB, 11.04.2012

Code: mrl_az-3350-betaetiger_jp

Operating instructions and Declaration of conformity (en) 113 kB, 24.02.2014

Code: mrl_az-3350-betaetiger_en

Operating instructions and Declaration of conformity (pt) 153 kB, 19.01.2012

Code: mrl_az-3350-betaetiger_pt

Operating instructions and Declaration of conformity (nl) 169 kB, 11.04.2012

Code: mrl_az-3350-betaetiger_nl

Operating instructions and Declaration of conformity (pl) 147 kB, 29.01.2015

Code: mrl_az-3350-betaetiger_pl

Operating instructions and Declaration of conformity (sv) 154 kB, 22.05.2012

Code: mrl_az-3350-betaetiger_sv

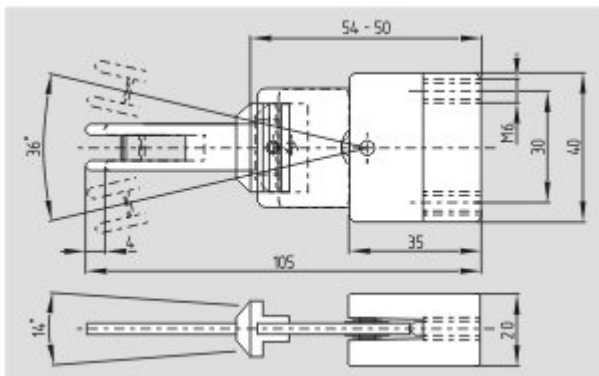
Operating instructions and Declaration of conformity (fr) 170 kB, 11.04.2012

Code: mrl_az-3350-betaetiger_fr

Operating instructions and Declaration of conformity (de) 115 kB, 24.02.2014

Code: mrl_az-3350-betaetiger_de

Images



Dimensional drawing (actuator)