

## Datasheet - AZM 161-B1ES

Solenoid interlock / AZM 161 / Actuator



(Minor differences between the printed image and the original product may exist!)

### Ordering details

Product type description	AZM 161-B1ES
Article number	101171859
EAN Code	4030661299600
eCl@ss	27-27-92-16

### Global Properties

Permanent light	Verkürzter, gerader Betätiger AZM 161-B1ES
Weight	30

### Mechanical data

Design of actuators	straight
Actuating play 2,0 mm in direction of actuation	
Minimum actuating radius	150 mm

### notice

On hinged guards, minimum actuating radius at 90° to the plane of the actuator 180 mm  
minimum actuating radius on hinged guards in line with the plane of the actuator 150 mm

### Documents

**Operating instructions** (fr) 120 kB, 05.06.2018

Code: mrl\_azm161-betaetiger\_fr

**Operating instructions** (en) 118 kB, 04.05.2018

Code: mrl\_azm161-betaetiger\_en

**Operating instructions** (pt) 173 kB, 25.05.2018

Code: mrl\_azm161-betaetiger\_pt

**Operating instructions** (de) 110 kB, 04.05.2018

Code: mrl\_azm161-betaetiger\_de

**Operating instructions** (es) 121 kB, 05.06.2018

Code: mrl\_azm161-betaetiger\_es

**Operating instructions** (nl) 126 kB, 23.07.2018

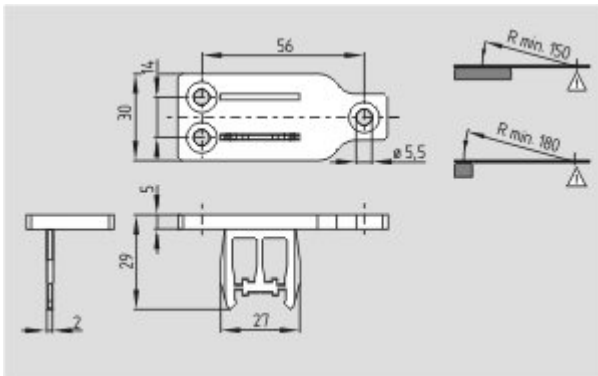
Code: mrl\_azm161-betaetiger\_nl

**Operating instructions** (pl) 165 kB, 13.08.2018

Code: mrl\_azm161-betaetiger\_pl

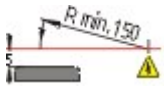
## Images

---



Dimensional drawing (actuator)

---



Actuating radius

---



Actuating radius

---

K.A. Schmersal GmbH & Co. KG, Möddinghofe 30, D-42279 Wuppertal

The data and values have been checked thoroughly. Technical modifications and errors excepted.

Generiert am 13.02.2019 - 14:42:03h Kasbase 3.3.0.F.64I