

Datasheet - SZ 16/335

Safety switch with separate actuator / AZ 16 / Accessories AZ 16



Preferred typ

- To prevent inadvertent closing, e.g. during maintenance
- For complex plant
- Prevents actuation of the switch
- Up to 6 padlocks can be fitted
- The lockout tag can be mounted on a chain near to the safety switch



(Minor differences between the printed image and the original product may exist!)

Ordering details

Product type description	SZ 16/335
Article number	101110500
EAN Code	4030661104270
eCl@ss	27-27-92-91

Global Properties

Permanent light	Sperrzange SZ 16/335
Weight	55

Documents

Operating instructions (en) 150 kB, 16.05.2018
Code: mrl_sz16_335_en

Operating instructions (de) 150 kB, 16.05.2018
Code: mrl_sz16_335_de

Operating instructions (fr) 151 kB, 13.07.2018
Code: mrl_sz16_335_fr

Operating instructions (nl) 150 kB, 01.08.2018
Code: mrl_sz16_335_nl

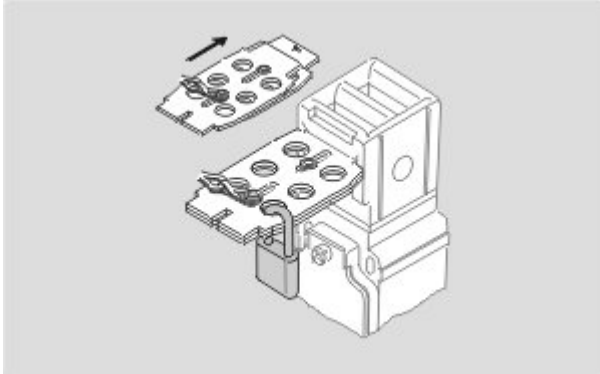
Operating instructions (pt) 151 kB, 08.08.2018

Code: mrl_sz16_335_pt

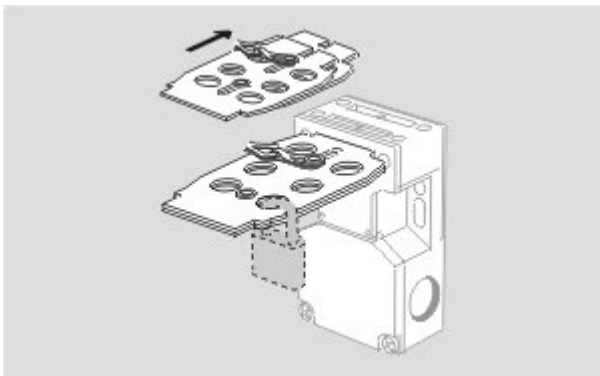
Operating instructions (es) 148 kB, 05.06.2018

Code: mrl_sz16_335_es

Images



Application



Operating principle

K.A. Schmersal GmbH & Co. KG, Mödinghofe 30, D-42279 Wuppertal

The data and values have been checked thoroughly. Technical modifications and errors excepted.

Generiert am 13.02.2019 - 14:35:26h Kasbase 3.3.0.F.64I