

Datasheet - TA 471-03/03Y

Position switch / heavy Position switch / T/M 471 (T 471 / M 471) / 471 Roller lever A



- Metal enclosure
- 4 or 6 Contacts
- 194 mm x 123 mm x 130 mm (basic component)
- 3 cable entries M 25 x 1.5
- Continuous adjustment of lever position 360°

(Minor differences between the printed image and the original product may exist!)

Ordering details

| | |
|--------------------------|---------------|
| Product type description | TA 471-03/03Y |
| Article number | 101061139 |
| EAN Code | 4030661058313 |
| eCl@ss | 27-27-06-01 |

Approval

Approval



Global Properties

| | |
|--|--------------------------|
| Permanent light | 471 Rollenschwenkhebel A |
| Standards | EN 60947-5-1 |
| Compliance with the Directives (Y/N)  | Yes |
| Suitable for safety functions (Y/N) | No |
| Standard housing (Y/N) | No |
| Materials | |
| - Material of the housings | cast iron, galvanized |
| - Roller material | Plastic |
| - Material of the contacts | Silver |
| Housing coating | painted |
| Weight | 4465 |
| Slide form | Castor |


Mechanical data

| | |
|--|---|
| Design of electrical connection | Screw connection |
| Cable section | |
| - Min. Cable section | 1.5 |
| - Max. Cable section | 4 |
| AWG-Number | 11 |
| Active principle | mechanical |
| Mechanical life | 1.000.000 operations |
| Switching frequency | 1000 |
| notice | All indications about the cable section are including the conductor ferrules. |
| Design of actuating element | Roller lever |
| Contact opening | 2 x 4 |
| Actuation direction | each time 75° right-hand side and left-hand side rotation |
| Actuating speed with vertical actuating angle to switch axis | |
| - Min. Actuating speed | 0,05 |
| - Max. Actuating speed | 3 |
| - Actuating angle from left of switch axis | 30 |
| - Actuating angle from right of switch axis | 30 |

Ambient conditions

| | |
|----------------------------------|----------------------|
| Ambient temperature | |
| - Min. environmental temperature | -30 |
| - Max. environmental temperature | +90 |
| Protection class | IP65 to IEC/EN 60529 |

Electrical data

| | |
|---|-----------------------|
| Design of control element | Opener (NC) |
| - with double break | |
| Switching principle | Creep circuit element |
| - positive break NC contact  | |
| Number of shutters | 0 |
| Number of openers | 3 left / 3 right |
| Rated impulse withstand voltage | 6 |
| Rated insulation voltage | 500 |
| Thermal test current | 25 A |
| Utilisation category | AC-15: 230 V / 10 A |
| Max. fuse rating | 16 A gG D-fuse |

Dimensions

| | |
|--------------------------|-----|
| Dimensions of the sensor | |
| - Width of sensor | 194 |
| - Height of sensor | 143 |
| - Length of sensor | 190 |
| Roller wide | 9 |
| Roller diameter | 36 |

Ordering suffix

The applicable ordering suffix is added at the end of the part number of the safety switch.

Order example: TA 471-03/03Y-RMS

| | |
|----------|---|
| ...-RMS | Available with metal roller |
| ...- UE | Slow action with overlapping contacts |
| ...- H | Slow action with staggered contacts |
| ...-1877 | toothed shaft |
| ...-2666 | Ball bearing roller gold-plated contacts 1276-2 (0,3 µm) operating paths: 2 Opener (NC) 15° / 15° 1 Opener (NC) 45° / 45° |
| ...- H | Slow action with staggered contacts |

Documents

Operating instructions and Declaration of conformity (nl) 95 kB, 20.07.2018

Code: mrlk_posi-allgemein_nl

Operating instructions and Declaration of conformity (ru) 133 kB, 09.07.2018

Code: mrlk_posi-allgemein_ru

Operating instructions and Declaration of conformity (es) 88 kB, 09.07.2018

Code: mrlk_posi-allgemein_es

Operating instructions and Declaration of conformity (en) 86 kB, 09.07.2018

Code: mrlk_posi-allgemein_en

Operating instructions and Declaration of conformity (cn) 138 kB, 09.07.2018

Code: mrlk_posi-allgemein_cn

Operating instructions and Declaration of conformity (it) 86 kB, 09.07.2018

Code: mrlk_posi-allgemein_it

Operating instructions and Declaration of conformity (jp) 285 kB, 09.07.2018

Code: mrlk_posi-allgemein_jp

Operating instructions and Declaration of conformity (pl) 118 kB, 09.07.2018

Code: mrlk_posi-allgemein_pl

Operating instructions and Declaration of conformity (fr) 85 kB, 09.07.2018

Code: mrlk_posi-allgemein_fr

Operating instructions and Declaration of conformity (pt) 86 kB, 09.07.2018

Code: mrlk_posi-allgemein_pt

Operating instructions and Declaration of conformity (de) 88 kB, 09.07.2018

Code: mrlk_posi-allgemein_de

Declaration of conformity (en) 86 kB, 19.12.2018

Code: konfi_mrl_tm064_en

Declaration of conformity (de) 88 kB, 04.04.2017

Code: konfi_mrl_tm064_de

CCC certification (en) 1 MB, 24.07.2017

Code: q_355p02

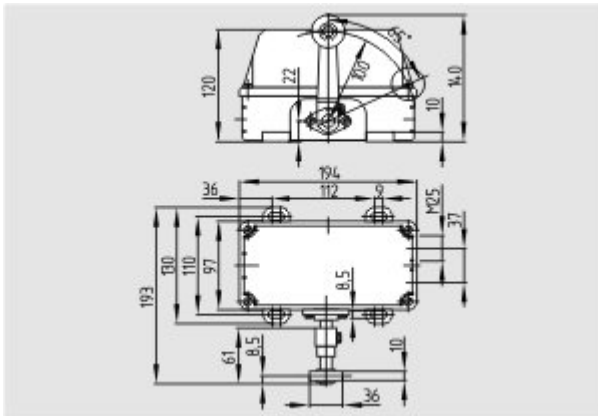
CCC certification (cn) 1 MB, 24.07.2017

Code: q_355p03

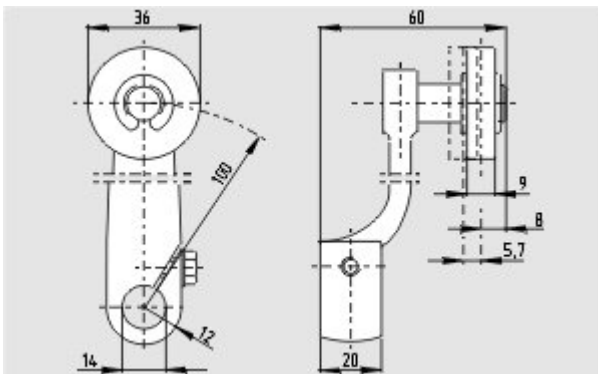
EAC certification (ru) 388 kB, 20.01.2016

Code: q_1527p17_ru

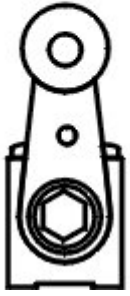
Images



Dimensional drawing (basic component)



Dimensional drawing (miscellaneous)



Operating principle

K.A. Schmersal GmbH & Co. KG, Möddinghofe 30, D-42279 Wuppertal

The data and values have been checked thoroughly. Technical modifications and errors excepted.

Generiert am 13.02.2019 - 13:32:42h Kasbase 3.3.0.F.64I