

## Datasheet - AV 15RB2X30U 45 GR.N

Door locking devices / AV 15



(Minor differences between the printed image and the original product may exist!)

- right-hand model
- for 1-leaf doors
- Fail-safe locking system
- Metal enclosure
- authorised for use in passenger elevators
- Manual release by means of M5 triangular key

### Ordering details

|                          |                      |
|--------------------------|----------------------|
| Product type description | AV 15RB2X30U 45 GR.N |
| Article number           | 101083300            |
| EAN Code                 | 4030661015675        |
| eCl@ss                   | 27-27-26-03          |

### Approval

Approval



### Global Properties

|  |                          |
|--|--------------------------|
| Permanent light  | AV 15                    |
| Standards  | EN 81-20, EN 81-50       |
| Compliance with the Directives (Y/N)  | Yes                      |
| Suitable for safety functions (Y/N)  | Yes                      |
| Mounting   | rear-side mounting holes |
| Number of door leaves  | 1                        |
| Materials  |                          |
| - Material of the housings   | light alloy die-casting  |
| - Material of the contacts   | Silver                   |
| - Locking bolt material  | Brass                    |
| Weight   | 1065                     |
| Latching bolt bevelling  | 45 bottom                |

### Mechanical data

|                             |   |
|-----------------------------|---|
| Cable entry                 | without cable gland                                     |
| notice                      | Graphic representation:<br>left-hand model mirror image |
| Design of actuating element | Roller lever H65 and bearing block B2                   |
| Orientation / Alignment     | right-hand model  |

|                                     |  |
|-------------------------------------|--|
| With fail-safe locking system (Y/N) | Yes  |
| Manual release (Y/N)                | Yes  |
| Permanent magnet                    | Ceramic oxide magnet with high coercive field strength |


## Ambient conditions

---

|                                  |      |
|----------------------------------|------|
| Ambient temperature              |      |
| - Min. environmental temperature | -15  |
| - Max. environmental temperature | +70  |
| Protection class                 | IP20 |

## Electrical data

---

|   |   |
|---|---|
| Design of control element   | Opener (NC)                               |
| Switching principle   | Slow action                               |
| - positive break NC contact  |   |
| Number of auxiliary contacts  | 0   |
| Number of safety contacts   | 1   |
| Rated impulse withstand voltage   | 6   |
| Rated insulation voltage  | 400                                       |
| Thermal test current  | 10 A                                      |
| Utilisation category  | AC-15: 230 V / 2 A,<br>DC-13: 200 V / 2 A |
| Max. fuse rating  | 6 A (slow blow)                           |

## Dimensions

---

|                                    |     |
|------------------------------------|-----|
| Dimensions                         |     |
| - Width                            | 165 |
| - Height                           | 80  |
| - Depth                            | 36  |
| Dimensions of the latching bolt    |     |
| - Diameter of the latching bolt    | 18  |
| - X-dimension of the latching bolt | 30  |

notice

### X-dimension of the latching bolt:

The overall latching bolt length is the result of the prescribed insertion depth of the latching bolt into the door leaf of 21 mm and the X-dimension. The X-dimension is the distance between the enclosure bottom of the door locking and the door top.

## Accessories

---

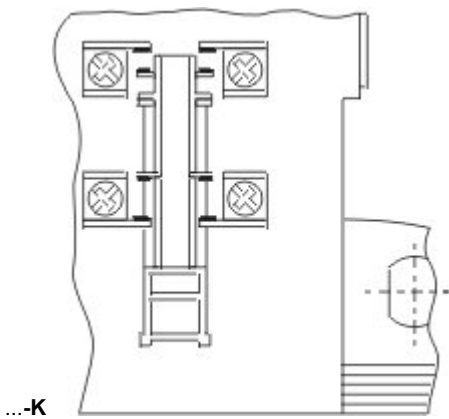
|        |  |
|--------|--|
| notice | Manual release using triangular key M5 available as accessory          |
| notice | Solenoid SOL-AV15/AV18 for electrical actuation available as accessory |

## Ordering suffix

---

The applicable ordering suffix is added at the end of the part number of the safety switch.

Order example: AV 15RB2X30U 45 GR.N-K



The auxiliary contact K shows the top position of the switch. This enables detecting which guard is unlocked. It is always the top contact.

...-GB215

additional front-side M8 mounting holes

## Ordering code

---

AV 15(1)(2)(3)(4)(5)(6)(7) 45 GR.N(8)

(1)

L left-hand model  
R right-hand model

(2)

without

H Roller H65  
H92 Roller H92  
H105 Roller H105  
B Bearing block B  
B2 Bearing block B2

(3)

without without Auxiliary contact  
K with Auxiliary contact

(4)

without Protection class IP20  
IP41 Protection class IP41

(5)

without without cable gland  
E4 cable gland M20  
E1 Cable entry

(6)

X... = 11, 5, 20, 30, 40, 45 mm

(7)

U 45° bottom  
D 45° cover-side  
L/R 45° 1 x left / 1 x right,

(8)

GB215

## Documents

---

Operating instructions and Declaration of conformity (nl) 435 kB, 26.06.2018

Code: mrl\_av15\_nl

**Operating instructions and Declaration of conformity** (pt) 419 kB, 08.03.2017

Code: mrl\_av15\_pt

**Operating instructions and Declaration of conformity** (pl) 433 kB, 17.02.2017

Code: mrl\_av15\_pl

**Operating instructions and Declaration of conformity** (de) 404 kB, 06.12.2016

Code: mrl\_av15\_de

**Operating instructions and Declaration of conformity** (es) 418 kB, 12.01.2017

Code: mrl\_av15\_es

**Operating instructions and Declaration of conformity** (cn) 501 kB, 11.05.2017

Code: mrl\_av15\_cn

**Operating instructions and Declaration of conformity** (en) 616 kB, 18.10.2016

Code: mrl\_av15\_en

**Operating instructions and Declaration of conformity** (it) 418 kB, 12.01.2017

Code: mrl\_av15\_it

**Operating instructions and Declaration of conformity** (fr) 422 kB, 12.01.2017

Code: mrl\_av15\_fr

**Operating instructions and Declaration of conformity** (jp) 506 kB, 22.08.2017

Code: mrl\_av15\_jp

**BG-test certificate** (de) 247 kB, 12.05.2016

Code: \_av15p01

**BG-test certificate** (en) 239 kB, 12.05.2016

Code: \_av15p02

**CCC certification** (en) 2 MB, 29.10.2018

Code: q\_av1p02

**CCC certification** (cn) 2 MB, 29.10.2018

Code: q\_av1p03

**EAC certification** (ru) 2 MB, 03.12.2018

Code: q\_0010p17\_ru

**notice** (es) 1 MB, 09.02.2012

Code: s\_aufp01\_es

**notice** (en) 487 kB, 09.02.2012

Code: s\_aufp01\_en

**notice** (fr) 1 MB, 09.02.2012

Code: s\_aufp01\_fr

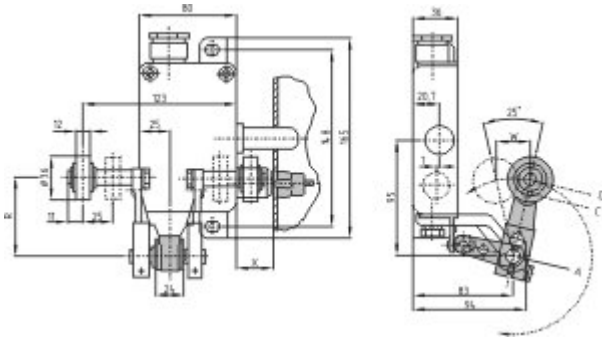
**notice** (it) 1 MB, 09.02.2012

Code: s\_aufp01\_it

**notice** (de) 1 MB, 09.02.2012

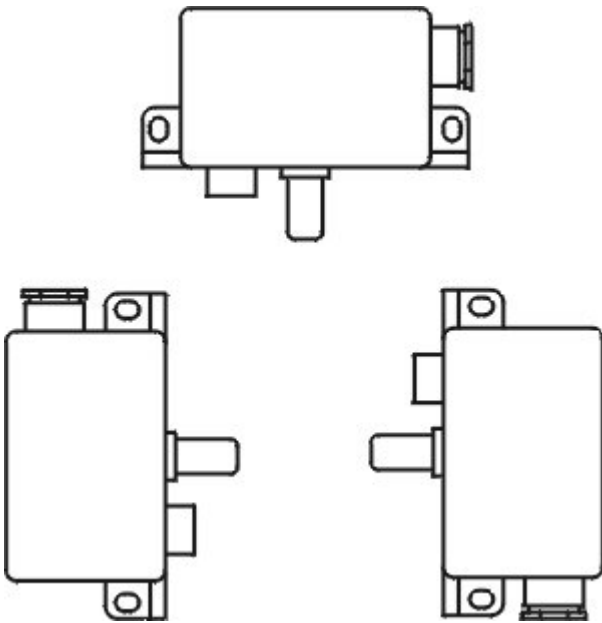
## Images

---



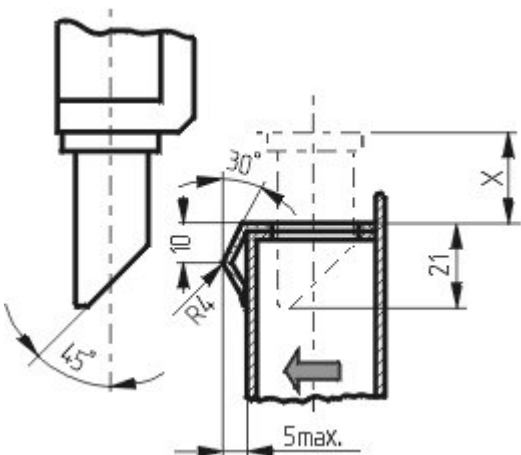
Dimensional drawing (basic component)

---



Assembly example

---



Assembly example

---