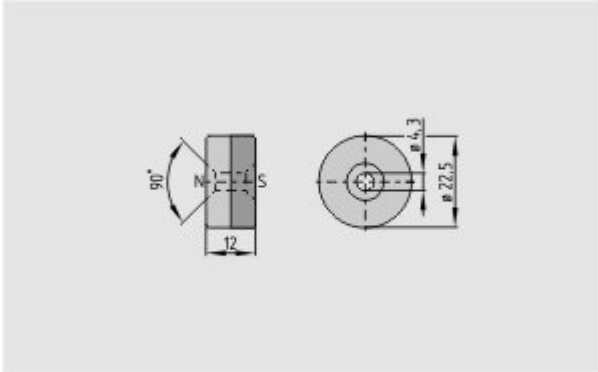


## Datasheet - BP 15

Magnetic reed switch / Actuator

 Preferred typ

(Minor differences between the printed image and the original product may exist!)

- thermoplastic enclosure
- N-pole marked green
- S-pole marked red
- Suitable for mounting on ferrous material with a distance of 18 mm

### Ordering details

Product type description	BP 15
Article number	101060163
EAN Code	4030661039589
eCl@ss	27-27-92-17

### Global Properties

Permanent light	Magnet
Weight	15
Special characteristics	thermoplastic enclosure

### Dimensions

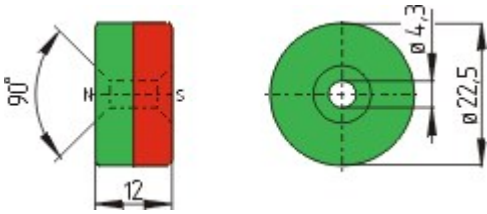
Dimensions of the actuators	
- Width of the actuator	12
- Diameter of the actuator	22.5

### Images



Product photo

---



Dimensional drawing (miscellaneous)

---

K.A. Schmersal GmbH & Co. KG, Möddinghofe 30, D-42279 Wuppertal

The data and values have been checked thoroughly. Technical modifications and errors excepted.

Generiert am 13.02.2019 - 13:10:22h Kasbase 3.3.0.F.64I