

Datasheet - SRB 301LCI/7



Guard door monitors and Safety control modules for Emergency Stop applications / General Purpose safety controllers (Series PROTECT SRB) / SRB301LC



- Suitable for signal processing of potential-free outputs, e.g. emergency stop command devices, position switches and solenoid interlocks
- 3 safety contacts, STOP 0
- 1 Signalling output

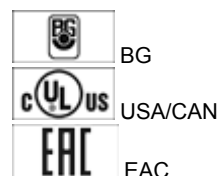
(Minor differences between the printed image and the original product may exist!)

Ordering details

Product type description	SRB 301LCI/7
Article number	101195127
EAN Code	
eCl@ss	27-37-19-01

Approval

Approval



Classification

Standards	EN ISO 13849-1, IEC 61508, EN 60947-5-1
PL	up e (STOP 0)
Control category	up 4 (STOP 0)
DC	99% (STOP 0)
CCF	> 65 points
PFH value	$\leq 2, 0 \times 10^{-8}/h$ (STOP 0)
SIL	up 3 (STOP 0)
Mission time	20 Years

- notice


The PFH value is applicable for the combinations listed in the table for contact load (K) (current through enabling paths) and switching cycle number (n-op/y).

In case of 365 operating days per year and a 24-hour operation, this results in the specified switching cycle times (t-cycle) for the relay contacts.

Diverging applications on request.

K	n-op/y	t-cycle
20 %	525.600	1,0 min
40 %	210.240	2,5 min
60 %	75.067	7,0 min
80 %	30.918	17,0 min
100 %	12.223	43,0 min

Global Properties

Permanent light	SRB301LC
Standards	IEC/EN 60204-1, EN 60947-5-1, EN ISO 13849-1, IEC 61508
Compliance with the Directives (Y/N) 	Yes
Climatic stress	EN 60068-2-78
Mounting	snaps onto standard DIN rail to EN 60715
Terminal designations	IEC/EN 60947-1
Materials	
- Material of the housings	Plastic, glass-fibre reinforced thermoplastic, ventilated
- Material of the contacts	AgSnO, self-cleaning, positive action
Weight	230
Start conditions	Automatic or Start button
Start input (Y/N)	Yes
Feedback circuit (Y/N)	Yes
Start-up test (Y/N)	No
Automatic reset function (Y/N)	Yes
Reset with edge detection (Y/N)	No
Pull-in delay	
- ON delay with automatic start	typ. 30 ms
Drop-out delay	
- Drop-out delay in case of emergency stop	≤ 50 ms

Mechanical data

Connection type	Spring pulley connection, plug-in
Cable section	
- Min. Cable section	0,25
- Max. Cable section	2.5
Pre-wired cable	rigid or flexible
Tightening torque for the terminals	0,6
Detachable terminals (Y/N)	Yes
Mechanical life	10.000.000 operations
Electrical lifetime	Derating curve available on request
resistance to shock	30 g / 11 ms
Resistance to vibration To EN 60068-2-6	10...55 HZ, Amplitude 0,35 mm, ± 15 %

Ambient conditions

Ambient temperature	
- Min. environmental temperature	-25 °C
- Max. environmental temperature	+45 °C
Storage and transport temperature	

- Min. Storage and transport temperature	-40 °C
- Max. Storage and transport temperature	+85 °C
Protection class	
- Protection class-Enclosure	IP40
- Protection class-Terminals	IP20
- Protection class-Clearance	IP54
Air clearances and creepage distances To IEC/EN 60664-1	
- Rated impulse withstand voltage U_{imp}	4 kV
Overvoltage category	III To VDE 0110
- Degree of pollution	2 To VDE 0110

Electromagnetic compatibility (EMC)

EMC rating	conforming to EMC Directive
------------	-----------------------------

Electrical data

Rated DC voltage for controls	
- Max. rated DC voltage for controls	20.4
- Max. rated DC voltage for controls	28.8
Rated AC voltage for controls, 50 Hz	
- Min. rated AC voltage for controls, 50 Hz	20.4
- Max. rated AC voltage for controls, 50 Hz	26.4
Rated AC voltage for controls, 60 Hz	
- Min. rated AC voltage for controls, 60 Hz	20.4
- Max. rated AC voltage for controls, 60 Hz	26.4
Contact resistance	max. 100 mΩ
Power consumption	1.7; 1.9
Type of actuation	AC/DC
Switch frequency	5
Rated operating voltage	24 -15 / +20, residual ripple 10 24 -15 / +10
Operating current I_e	0,08 A
Frequency range	50 / 60 HZ
Electronic protection (Y/N)	Yes
Fuse rating for the operating voltage	Internal electronic trip, tripping current > 0,25 A

Inputs

Monitored inputs

- Short-circuit recognition (Y/N)	Yes
- Wire breakage detection (Y/N)	Yes
- Earth connection detection (Y/N)	Yes
Number of shutters	0 piece
Number of openers	2 piece
Cable length	1500 m with 1.5 mm ² ; 2500 m with 2.5 mm ²
Conduction resistance	max. 40 Ω

Outputs

Stop category	0
Number of safety contacts	3 piece
Number of auxiliary contacts	1 piece

Number of signalling outputs	0 piece
Switching capacity	
- Switching capacity of the safety contacts	max. 250 VAC, 6 A ohmic (inductive in case of appropriate protective wiring) min. 10 V, 10 mA
- Switching capacity of the auxiliary contacts	24 VDC, 2 A
Fuse rating	
- Protection of the safety contacts	6 A slow blow
- Fuse rating for the auxiliary contacts	2 A slow blow
Utilisation category To EN 60947-5-1	AC-15: 230 V / 6 A DC-13: 24 V / 6 A
Number of undelayed semi-conductor outputs with signaling function	0 piece
Number of undelayed outputs with signaling function (with contact)	1 piece
Number of delayed semi-conductor outputs with signaling function.	0 piece
Number of delayed outputs with signalling function (with contact).	0 piece
Number of secure undelayed semi-conductor outputs with signaling function	0 piece
Number of secure, undelayed outputs with signaling function, with contact.	3 piece
Number of secure, delayed semi-conductor outputs with signaling function	0 piece
Number of secure, delayed outputs with signaling function (with contact).	0 piece

LED switching conditions display

LED switching conditions display (Y/N)	Yes
Number of LED's	4
LED switching conditions display	
- The integrated LEDs indicate the following operating states.	
- Position relay K2	
- Position relay K1	
- Supply voltage	
- Internal operating voltage	

Miscellaneous data

Applications	 Emergency-Stop button  Guard system  Pull-wire emergency stop switches
--------------	--

Dimensions

Dimensions	
- Width	22.5 mm
- Height	100 mm
- Depth	121 mm

notice

Inductive loads (e.g. contactors, relays, etc.) are to be suppressed by means of a suitable circuit.

notice - Wiring example

Input level: The example shows a 2-channel control of a guard door monitoring with two position switches, whereof one with positive break, external reset button (R); cross-wire monitoring and feedback circuit (H2)

The control recognises cross-short, cable break and earth leakages in the monitoring circuit.

Relay outputs: Suitable for 2 channel control, for increase in capacity or number of contacts by means of contactors or relays with positive-guided contacts.

In case of a 1-channel control, connect the NC contact to the operating voltage and bridge S11/S12 and S21/S22.

Automatic start: The automatic start is programmed by connecting the feedback circuit to the terminals X1/X2. If the feedback circuit is not required, establish a bridge

The wiring diagram is shown with guard doors closed and in de-energised condition.

Documents

Operating instructions and Declaration of conformity (it) 312 kB, 10.10.2018

Code: mrl_srb_301lc_it

Operating instructions and Declaration of conformity (es) 310 kB, 10.10.2018

Code: mrl_srb_301lc_es

Operating instructions and Declaration of conformity (jp) 397 kB, 10.10.2018

Code: mrl_srb_301lc_jp

Operating instructions and Declaration of conformity (nl) 321 kB, 10.10.2018

Code: mrl_srb_301lc_nl

Operating instructions and Declaration of conformity (en) 303 kB, 10.10.2018

Code: mrl_srb_301lc_en

Operating instructions and Declaration of conformity (fr) 314 kB, 10.10.2018

Code: mrl_srb_301lc_fr

Operating instructions and Declaration of conformity (pl) 324 kB, 10.10.2018

Code: mrl_srb_301lc_pl

Operating instructions and Declaration of conformity (da) 311 kB, 10.10.2018

Code: mrl_srb_301lc_da

Operating instructions and Declaration of conformity (pt) 315 kB, 10.10.2018

Code: mrl_srb_301lc_pt

Operating instructions and Declaration of conformity (de) 289 kB, 10.10.2018

Code: mrl_srb_301lc_de

Wiring example (99) 19 kB, 04.08.2008

Code: Ksrb3104

Wiring example (99) 20 kB, 22.08.2008

Code: ksr3111

Wiring example (99) 18 kB, 22.08.2008

Code: ksr3119

TÜV certification (de, en) 763 kB, 07.04.2017

Code: z_l30p01

CCC certification (cn) 296 kB, 16.01.2017

Code: q_srbp02

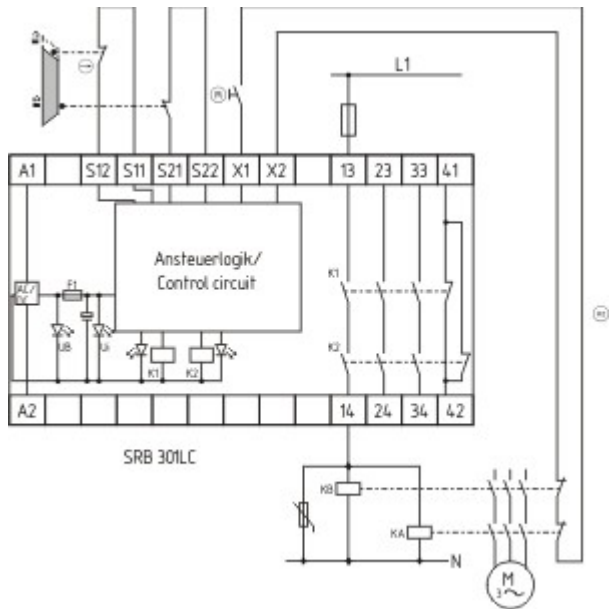
CCC certification (en) 314 kB, 16.01.2017

Code: q_srbp01

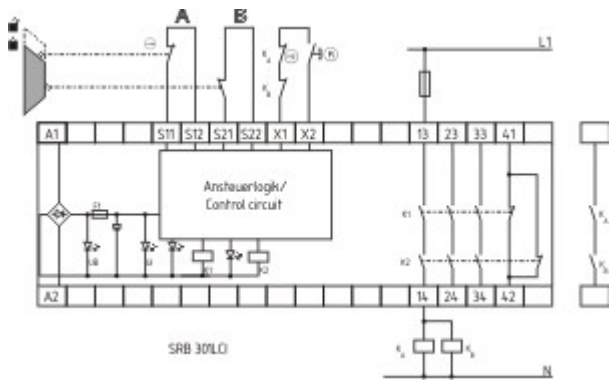
EAC certification (ru) 1 MB, 15.03.2018

Code: q_aesp01

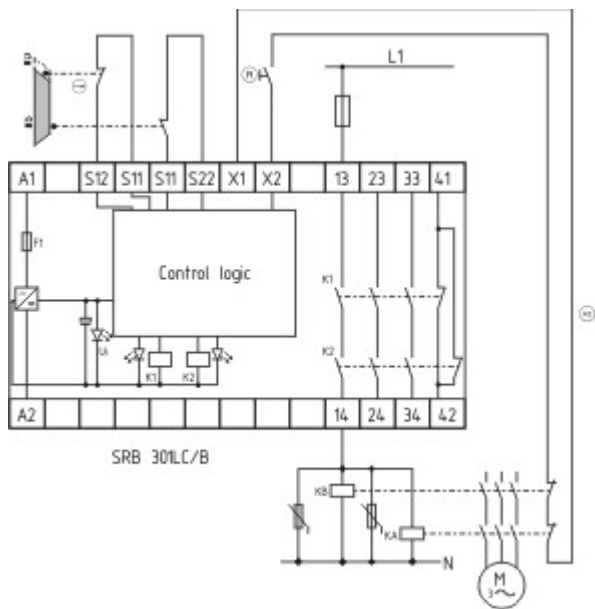
Images



Wiring example



Wiring example



Wiring example

K.A. Schmersal GmbH & Co. KG, Möddinghofe 30, D-42279 Wuppertal

The data and values have been checked thoroughly. Technical modifications and errors excepted.

Generiert am 13.02.2019 - 13:03:27h Kasbase 3.3.0.F.64I