

Datasheet - NMEFGB

Command and signalling devices / Push buttons and pilot lights - "N" Program / NME - Illuminated signal



(Minor differences between the printed image and the original product may exist!)

- integrated multi-LED, extra bright in device head
- flat dome

Ordering details

Product type description	NMEFGB
Article number	101163604
EAN Code	4250116200603
eCl@ss	27-37-12-11

Approval

Approval



Global Properties

Permanent light	NME - Illuminated signal
Standards	IEC/EN 60947-1, EN 60947-5-1
Compliance with the Directives (Y/N)	Yes
Suitable for safety functions (Y/N)	No
Mounting	mounting flange ELM
Mounting position	arbitrarily
Materials	
- Material of the dome	PA (12)
- Material of the front ring	ABS, Chromium-plated
Design	LED - Illuminated signal - Front plate mounting
Form	round, flat dome

Color	
- Colour of the dome	■ yellow
- Colour of the front ring	■ Silver
Weight	50
Can be illuminated (Y/N)	Yes

Mechanical data

mounting flange available (Y/N)	Yes
Front plate thickness	
- min. front plate thickness	1.5
- max. front plate thickness	6
Tightening torque for fixing screws	0,6

Ambient conditions

Ambient temperature	
- Min. environmental temperature	-25
- Max. environmental temperature	+80
Storage and transport temperature	
- Min. Storage and transport temperature	-
- Max. Storage and transport temperature	-
Fully insulated (Y/N)	Yes
Sealing type	membrane, lip seal, Form seals
Protection type IP	IP67, IP69K

LED switching conditions display

With integrated LED (Y/N)	Yes
- for 24 VAC/DC	

Dimensions

Dimensions	
- Height	
- Diameter total Ø	44.5 mm
Height of the dome	2
Diameter of the front ring	44.5
Diameter of the dome	26
Hole, diameter	22.3 + 0,4
Spacing	50 x 50

notice

for other input voltages, a special light element must be used

Included in delivery

Mounting flange ELM (1014387) is included in delivery

Documents

Operating instructions and Declaration of conformity (it) 2 MB, 14.06.2017

Code: mrl_programme-e-n-r_it

Operating instructions and Declaration of conformity (en) 1 MB, 06.11.2018

Code: mrl_programme-e-n-r_en

Operating instructions and Declaration of conformity (pl) 2 MB, 12.10.2017

Code: mrl_programme-e-n-r_pl

Operating instructions and Declaration of conformity (jp) 2 MB, 28.06.2017

Code: mrl_programme-e-n-r_jp

Operating instructions and Declaration of conformity (pt) 2 MB, 31.05.2017

Code: mrl_programme-e-n-r_pt

Operating instructions and Declaration of conformity (de) 1 MB, 06.11.2018

Code: mrl_programme-e-n-r_de

Operating instructions and Declaration of conformity (es) 1 MB, 05.12.2018

Code: mrl_programme-e-n-r_es

Operating instructions and Declaration of conformity (nl) 1 MB, 05.12.2018

Code: mrl_programme-e-n-r_nl

Operating instructions and Declaration of conformity (fr) 1 MB, 05.12.2018

Code: mrl_programme-e-n-r_fr

Operating instructions and Declaration of conformity (cn) 2 MB, 21.06.2017

Code: mrl_programme-e-n-r_cn

BG-test certificate (de, en, fr) 174 kB, 31.07.2014

Code: z_ndrp01

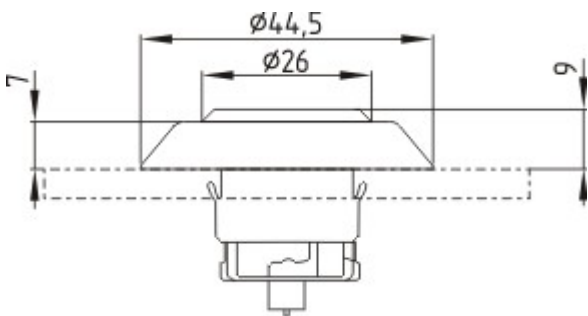
IPA Data (en) 248 kB, 09.11.2012

Code: i_ipap02

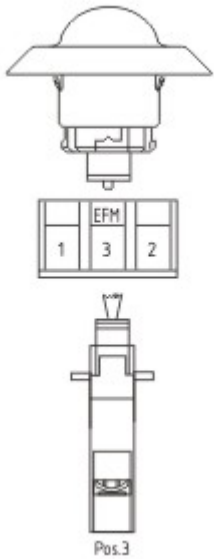
IPA Data (de) 255 kB, 05.09.2014

Code: i_ipap01

Images



Dimensional drawing (basic component)



Application

System components

Accessories



101014387 - ELM

Light terminal block



101006534 - ELE230

- not suitable for operation with filament lamp or glow lamp
-



101006532 - ELE48

- not suitable for operation with filament lamp or glow lamp
-



101006529 - ELE

- Print with LED symbol
-

101167368 - ELEK

- Print with LED symbol



K.A. Schmersal GmbH & Co. KG, Möddinghofe 30, D-42279 Wuppertal

The data and values have been checked thoroughly. Technical modifications and errors excepted.

Generiert am 13.02.2019 - 12:54:48h Kasbase 3.3.0.F.64I