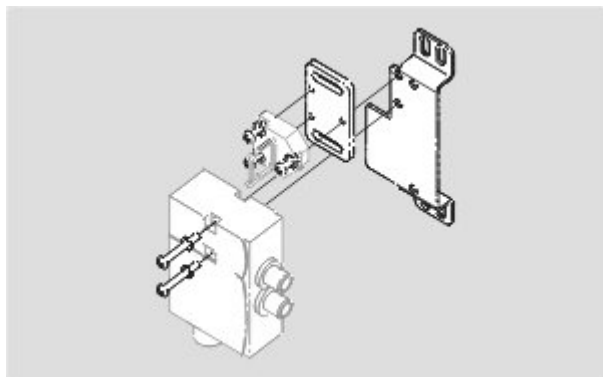


Datasheet - Mounting set MS AZM 170 R/P

Solenoid interlock / AZM 170 / Accessories AZM 170



Preferred typ



(Minor differences between the printed image and the original product may exist!)

Ordering details

Product type description	Montagebausatz MS AZM 170 R/P
Article number	101149211
EAN Code	4030661287560
eCl@ss	27-27-92-91

Global Properties

Permanent light	Montagebausatz
Weight	326

Mechanical data

mounting	Mounting right-angled to safety guard
----------	---------------------------------------

notice

The mounting sets can only be used in conjunction with actuator AZM 170-B6.

Included in delivery

Included in delivery

- Roundhead screw M 4 x 30 per ISO 7380
- Roundhead screw M 4 x 10 per ISO 7380
- Washer DIN 433-4,3
- U-profile AZM 170
- Mounting angle AZM 170
- Mounting plate AZ 17/AZM 170

Documents

Operating instructions (es) 136 kB, 09.05.2018

Code: mrl_ms_azm170_es

Operating instructions (it) 136 kB, 09.05.2018

Code: mrl_ms_azm170_it

Operating instructions (fr) 136 kB, 09.05.2018

Code: mrl_ms_azm170_fr

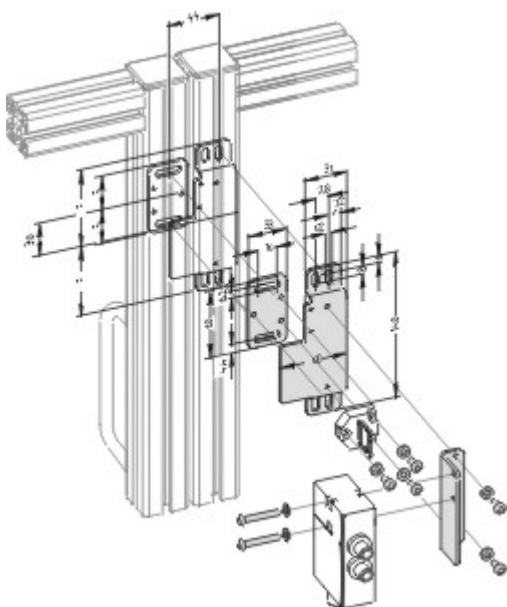
Operating instructions (de) 132 kB, 20.04.2018

Code: mrl_ms_azm170_de

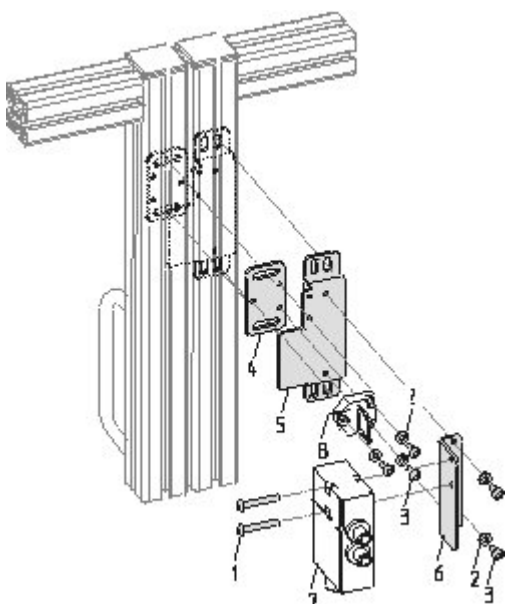
Operating instructions (en) 134 kB, 20.04.2018

Code: mrl_ms_azm170_en

Images



Dimensional drawing (miscellaneous)



Product graph (exploded-view drawing)

K.A. Schmersal GmbH & Co. KG, Möddinghofe 30, D-42279 Wuppertal

The data and values have been checked thoroughly. Technical modifications and errors excepted.

Generiert am 13.02.2019 - 14:44:00h Kasbase 3.3.0.F.64I