

## Datasheet - RST-U-2

Safety sensors / RSS260 / Actuator



- Frontal actuation from assembly direction
- Small body
- Mounting 1 x M3 plus Twist protection

(Minor differences between the printed image and the original product may exist!)

### Ordering details

Product type description	RST-U-2
Article number	103005994
EAN Code	
notice	Sensor and actuator must be ordered separately.
eCl@ss	27-27-92-17

### Approval

Approval



### Global Properties

Permanent light	Betätiger
Materials	
- Material of the actuator	Plastic
Weight	4
Recommended combinations	RSS 36, RSS 36 AS, RSS260, RSS260 AS

### Mechanical data

Active area	front
with latching magnet (Y/N)	-

### Dimensions

Dimensions of the actuators	
- Width of the actuator	22
- Height of the actuator	7

## Documents

---

**Mounting and wiring instructions** (cn) 309 kB, 23.11.2018

Code: mrl\_rst-u-2-rss36\_cn

**Mounting and wiring instructions** (da) 169 kB, 01.12.2015

Code: mrl\_rst-u-2-rss36\_da

**Mounting and wiring instructions** (sv) 176 kB, 27.05.2015

Code: mrl\_rst-u-2-rss36\_sv

**Mounting and wiring instructions** (it) 205 kB, 21.11.2016

Code: mrl\_rst-u-2-rss36\_it

**Mounting and wiring instructions** (en) 212 kB, 27.10.2016

Code: mrl\_rst-u-2-rss36\_en

**Mounting and wiring instructions** (de) 217 kB, 27.10.2016

Code: mrl\_rst-u-2-rss36\_de

**Mounting and wiring instructions** (es) 206 kB, 21.11.2016

Code: mrl\_rst-u-2-rss36\_es

**Mounting and wiring instructions** (nl) 202 kB, 13.12.2016

Code: mrl\_rst-u-2-rss36\_nl

**Mounting and wiring instructions** (fr) 204 kB, 18.11.2016

Code: mrl\_rst-u-2-rss36\_fr

**Mounting and wiring instructions** (pl) 225 kB, 24.01.2017

Code: mrl\_rst-u-2-rss36\_pl

**Mounting and wiring instructions** (jp) 249 kB, 12.05.2017

Code: mrl\_rst-u-2-rss36\_jp

**Mounting and wiring instructions** (pt) 205 kB, 27.04.2017

Code: mrl\_rst-u-2-rss36\_pt

**Mounting and wiring instructions** (es) 357 kB, 08.07.2015

Code: mrl\_rst-u-2\_es

**Mounting and wiring instructions** (nl) 196 kB, 20.07.2018

Code: mrl\_rst-u-2\_nl

**Mounting and wiring instructions** (pl) 227 kB, 27.07.2015

Code: mrl\_rst-u-2\_pl

**Mounting and wiring instructions** (fr) 192 kB, 01.09.2015

Code: mrl\_rst-u-2\_fr

**Mounting and wiring instructions** (cs) 229 kB, 09.10.2017

Code: mrl\_rst-u-2\_cs

**Mounting and wiring instructions** (ip) 259 kB, 05.11.2014

Code: mrl\_rst-u-2\_jp

**Mounting and wiring instructions** (it) 190 kB, 27.07.2015

Code: mrl\_rst-u-2\_it

**Mounting and wiring instructions** (sv) 192 kB, 07.08.2015

Code: mrl\_rst-u-2\_sv

**Mounting and wiring instructions** (en) 387 kB, 03.07.2015

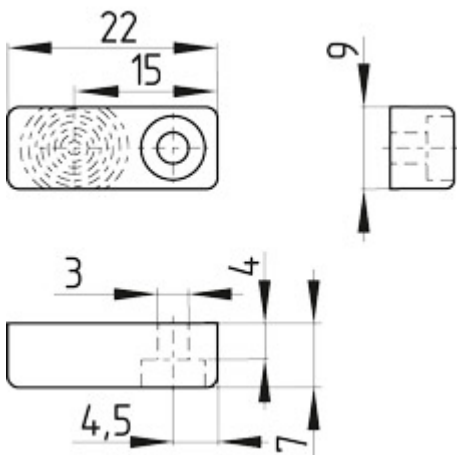
Code: mrl\_rst-u-2\_en

**Mounting and wiring instructions** (de) 388 kB, 03.07.2015

Code: mrl\_rst-u-2\_de

## Images

---



Dimensional drawing (basic component)

---

K.A. Schmersal GmbH & Co. KG, Mödinghofe 30, D-42279 Wuppertal

The data and values have been checked thoroughly. Technical modifications and errors excepted.

Generiert am 13.02.2019 - 14:30:27h Kasbase 3.3.0.F.64I