

Datasheet - RDP40SW

Command and signalling devices / Push buttons and pilot lights - "R" Program / RDP -
Mushroom button



• without latching



(Minor differences between the printed image and the original product may exist!)

Ordering details

Product type description	RDP40SW
Article number	101188289
EAN Code	
eCl@ss	27-37-12-12

Approval

Approval



Global Properties

Permanent light	RDP - Mushroom button
Standards	IEC/EN 60947-1, EN 60947-5-1
Compliance with the Directives (Y/N)	No
Suitable for safety functions (Y/N)	No
Mounting	mounting flange RLM
Materials	
- Material of the operators	Aluminium
- Material of the front ring	Aluminium
Design	Mushroom button - Front plate mounting
Form	Round
Color	

- Colour of the operating element	■ Black
- Colour of the front ring	■ Silver
Weight	50
Can be illuminated (Y/N)	No

Mechanical data

Switching frequency	1200
Actuating force	2
Actuating stroke	4
resistance to shock	< 50
Latching (Y/N)	No
Unlocking type	without
Probing possible (Y/N)	Yes
mounting flange available (Y/N)	Yes
Front plate thickness	
- min. front plate thickness	1
- max. front plate thickness	6
Tightening torque for fixing screws	2

Ambient conditions

Ambient temperature	
- Min. environmental temperature	-25
- Max. environmental temperature	+75
Storage and transport temperature	
- Min. Storage and transport temperature	-
- Max. Storage and transport temperature	-
Fully insulated (Y/N)	Yes
Sealing type	membrane, lip seal, Form seals
Protection class	IP65

LED switching conditions display

With integrated LED (Y/N)	No
---------------------------	----

Dimensions

Dimensions	
- Height	37.5
- Diameter total	39.5
diameters for the actuating heads	37
Diameter of the front ring	39.5
Hole, diameter	22.3 + 0,4
Spacing	40 x 60

Included in delivery

Mounting flange RLM (1188815) is included in delivery

Documents

Operating instructions and Declaration of conformity (it) 2 MB, 14.06.2017

Code: mrl_programme-e-n-r_it

Operating instructions and Declaration of conformity (en) 1 MB, 06.11.2018

Code: mrl_programme-e-n-r_en

Operating instructions and Declaration of conformity (pl) 2 MB, 12.10.2017

Code: mrl_programme-e-n-r_pl

Operating instructions and Declaration of conformity (jp) 2 MB, 28.06.2017

Code: mrl_programme-e-n-r_jp

Operating instructions and Declaration of conformity (pt) 2 MB, 31.05.2017

Code: mrl_programme-e-n-r_pt

Operating instructions and Declaration of conformity (de) 1 MB, 06.11.2018

Code: mrl_programme-e-n-r_de

Operating instructions and Declaration of conformity (es) 1 MB, 05.12.2018

Code: mrl_programme-e-n-r_es

Operating instructions and Declaration of conformity (nl) 1 MB, 05.12.2018

Code: mrl_programme-e-n-r_nl

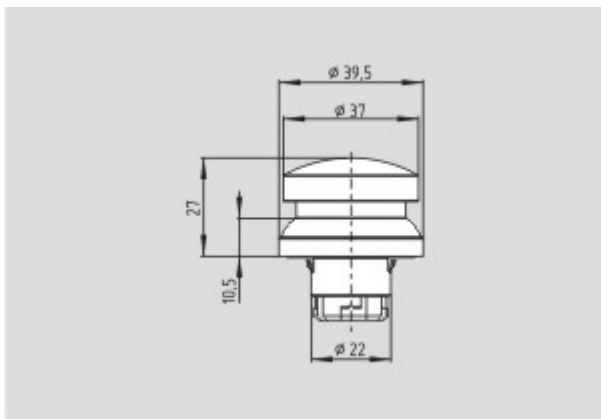
Operating instructions and Declaration of conformity (fr) 1 MB, 05.12.2018

Code: mrl_programme-e-n-r_fr

Operating instructions and Declaration of conformity (cn) 2 MB, 21.06.2017

Code: mrl_programme-e-n-r_cn

Images



Dimensional drawing (basic component)

System components

contact element



contact element RF

- Screw connection
- 1-2 (Contact labelling)

spare part

mounting flange (R)



K.A. Schmersal GmbH & Co. KG, Möddinghofe 30, D-42279 Wuppertal

The data and values have been checked thoroughly. Technical modifications and errors excepted.

Generiert am 13.02.2019 - 12:56:28h Kasbase 3.3.0.F.64I