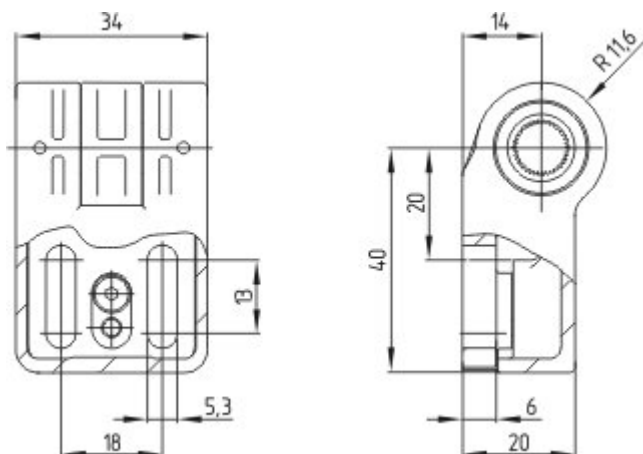


Datasheet - adjustable hinge L

Safety switch for hinged guards / Hinge safety switch / TV8S 521 / Accessories



Preferred typ



(Minor differences between the printed image and the original product may exist!)

Ordering details

Product type description	Justierbares Scharnier L
Article number	101138413
EAN Code	4030661104539
eCl@ss	27-27-92-91

Global Properties

Permanent light	Festes Scharnier
Weight	140

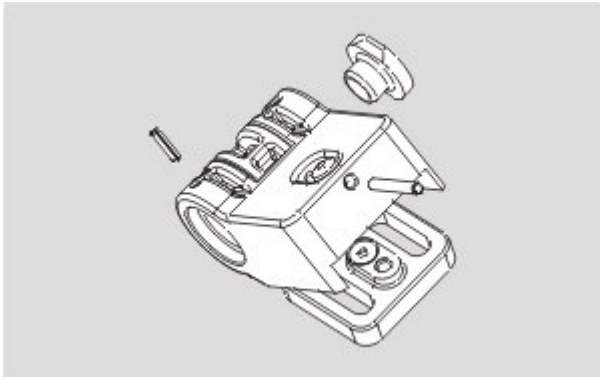
Dimensions

Dimensions	
- Width	34 mm
- Height	40 mm

Included in delivery

blanking plug	
Locating pins	
Screws M 5 x 20 to ISO 7380	2 piece

Images



Operating principle

K.A. Schmersal GmbH & Co. KG, Möddinghofe 30, D-42279 Wuppertal
The data and values have been checked thoroughly. Technical modifications and errors excepted.
Generiert am 13.02.2019 - 14:34:40h Kasbase 3.3.0.F.64I