

## Datasheet - SZ 16/335

Safety switch with separate actuator / AZ 15 / Accessories AZ 15



Preferred typ

- To prevent inadvertent closing, e.g. during maintenance
- For complex plant
- Prevents actuation of the switch
- Up to 6 padlocks can be fitted
- The lockout tag can be mounted on a chain near to the safety switch



(Minor differences between the printed image and the original product may exist!)

### Ordering details

Product type description	SZ 16/335
Article number	101110500
EAN Code	4030661104270
eCl@ss	27-27-92-91

### Global Properties

Permanent light	Sperrzange SZ 16/335
Weight	55

### Documents

**Operating instructions** (en) 150 kB, 16.05.2018  
Code: mrl\_sz16\_335\_en

**Operating instructions** (de) 150 kB, 16.05.2018  
Code: mrl\_sz16\_335\_de

**Operating instructions** (fr) 151 kB, 13.07.2018  
Code: mrl\_sz16\_335\_fr

**Operating instructions** (nl) 150 kB, 01.08.2018  
Code: mrl\_sz16\_335\_nl

**Operating instructions** (pt) 151 kB, 08.08.2018

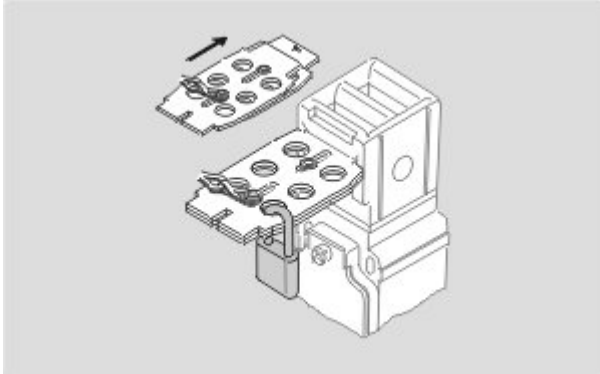
Code: mrl\_sz16\_335\_pt

**Operating instructions** (es) 148 kB, 05.06.2018

Code: mrl\_sz16\_335\_es

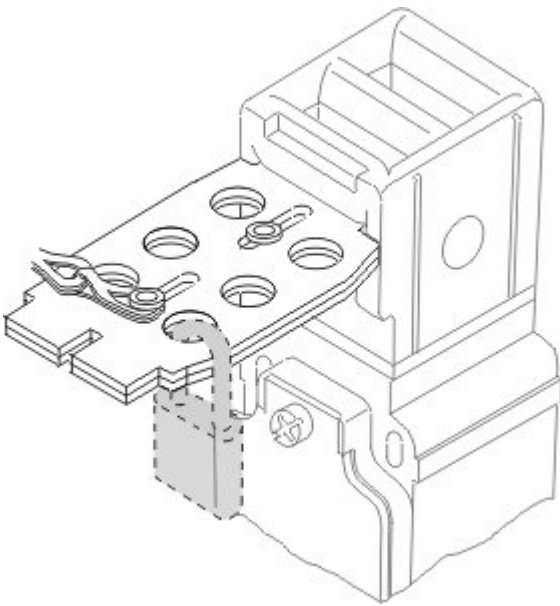
## Images

---



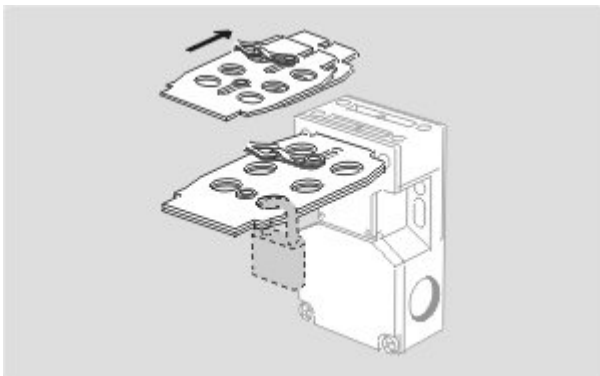
Application

---



Application

---



Operating principle

---

