

Datasheet - NMLGB

Command and signalling devices / Push buttons and pilot lights - "N" Program / NML - Illuminated signal



- for Ba9S LED's
- flat dome

(Minor differences between the printed image and the original product may exist!)

Ordering details

| | |
|--------------------------|---------------|
| Product type description | NMLGB |
| Article number | 101174520 |
| EAN Code | 4250116201396 |
| eCl@ss | 27-37-12-11 |

Approval

Approval



Global Properties

| | |
|--------------------------------------|---|
| Permanent light | NML - Illuminated signal |
| Standards | IEC/EN 60947-1, EN 60947-5-1 |
| Compliance with the Directives (Y/N) | Yes |
| Suitable for safety functions (Y/N) | No |
| Mounting | mounting flange ELM |
| Mounting position | arbitrarily |
| Materials | |
| - Material of the dome | PA (12) |
| - Material of the front ring | ABS, Chromium-plated |
| Design | LED - Illuminated signal - Front plate mounting |
| Form | round, flat dome |

| | |
|----------------------------|--|
| Color | |
| - Colour of the dome | ■ yellow |
| - Colour of the front ring | ■ Silver |
| Weight | 30 |
| Can be illuminated (Y/N) | Yes |

Mechanical data

| | |
|-------------------------------------|-----|
| mounting flange available (Y/N) | Yes |
| Front plate thickness | |
| - min. front plate thickness | 1.5 |
| - max. front plate thickness | 6 |
| Tightening torque for fixing screws | 0,6 |

Ambient conditions

| | |
|--|--------------------------------|
| Ambient temperature | |
| - Min. environmental temperature | -25 |
| - Max. environmental temperature | +80 |
| Storage and transport temperature | |
| - Min. Storage and transport temperature | - |
| - Max. Storage and transport temperature | - |
| Fully insulated (Y/N) | Yes |
| Sealing type | membrane, lip seal, Form seals |
| Protection type IP | IP67, IP69K |

LED switching conditions display

| | |
|---------------------------|----|
| With integrated LED (Y/N) | No |
| - for 24 VAC/DC | |

Dimensions

| | |
|----------------------|------------|
| Dimensions | |
| - Height | |
| - Diameter total Ø | 44.5 mm |
| Height of the dome | 2 |
| Diameter of the dome | 26 |
| Hole, diameter | 22.3 + 0,4 |
| Spacing | 50 x 50 |

Documents

Operating instructions and Declaration of conformity (it) 2 MB, 14.06.2017

Code: mrl_programme-e-n-r_it

Operating instructions and Declaration of conformity (en) 1 MB, 06.11.2018

Code: mrl_programme-e-n-r_en

Operating instructions and Declaration of conformity (pl) 2 MB, 12.10.2017

Code: mrl_programme-e-n-r_pl

Operating instructions and Declaration of conformity (jp) 2 MB, 28.06.2017

Code: mrl_programme-e-n-r_jp

Operating instructions and Declaration of conformity (pt) 2 MB, 31.05.2017

Code: mrl_programme-e-n-r_pt

Operating instructions and Declaration of conformity (de) 1 MB, 06.11.2018

Code: mrl_programme-e-n-r_de

Operating instructions and Declaration of conformity (es) 1 MB, 05.12.2018

Code: mrl_programme-e-n-r_es

Operating instructions and Declaration of conformity (nl) 1 MB, 05.12.2018

Code: mrl_programme-e-n-r_nl

Operating instructions and Declaration of conformity (fr) 1 MB, 05.12.2018

Code: mrl_programme-e-n-r_fr

Operating instructions and Declaration of conformity (cn) 2 MB, 21.06.2017

Code: mrl_programme-e-n-r_cn

BG-test certificate (de, en, fr) 174 kB, 31.07.2014

Code: z_ndrp01

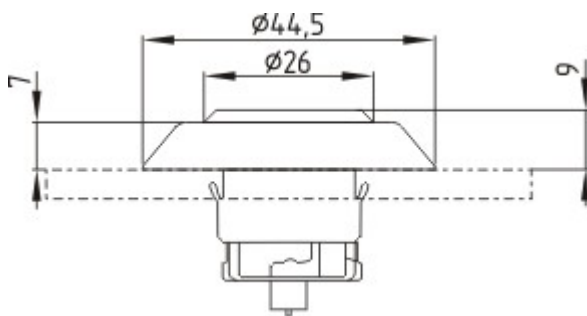
IPA Data (en) 248 kB, 09.11.2012

Code: i_ipap02

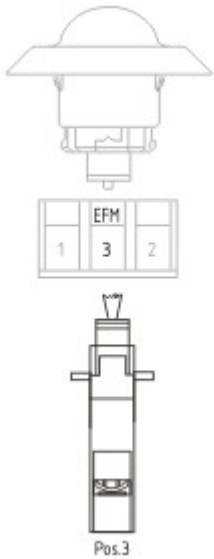
IPA Data (de) 255 kB, 05.09.2014

Code: i_ipap01

Images



Dimensional drawing (basic component)



Application

System components

Light terminal block



101006534 - ELE230

- not suitable for operation with filament lamp or glow lamp
-



101006532 - ELE48

- not suitable for operation with filament lamp or glow lamp
-



101006529 - ELE

- Print with LED symbol
-



101167368 - ELEK

- Print with LED symbol
-

101167385 - ELDEKWS24

- Cage clamps
- Mounting flange position 3
- white LED
- 24 VAC/DC



101167382 - ELDEKGB24

- Cage clamps
- Mounting flange position 3
- yellow LED
- 24 VAC/DC

K.A. Schmersal GmbH & Co. KG, Möddinghofe 30, D-42279 Wuppertal

The data and values have been checked thoroughly. Technical modifications and errors excepted.

Generiert am 13.02.2019 - 12:55:03h Kasbase 3.3.0.F.64l