

Datasheet - MP190 MOUNTING PLATE

Solenoid interlock / AZM190 / Accessories



- For simple mounting of an AZM190 on profile systems

(Minor differences between the printed image and the original product may exist!)

Ordering details

Product type description	MP190 MONTAGEPLATTE
Article number	101029969
EAN Code	
eCl@ss	27-27-92-91

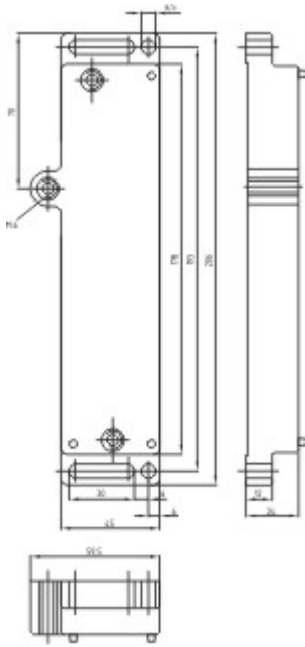
Global Properties

Permanent light	Montageplatte
Weight	40

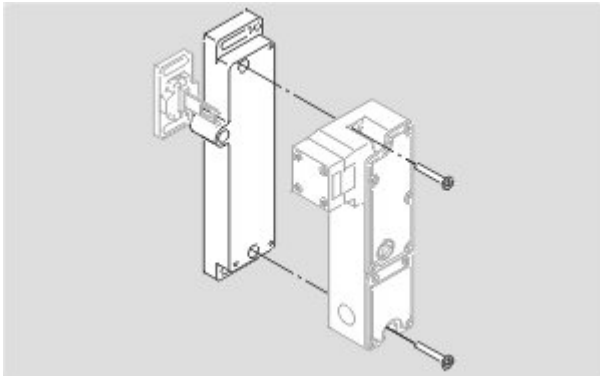
notice

notice	Mounting of the solenoid interlock and mounting plate on the inside for right-hinged doors
notice	For left-hinged doors, the mounting plate with the solenoid interlock must be turned by 180°.

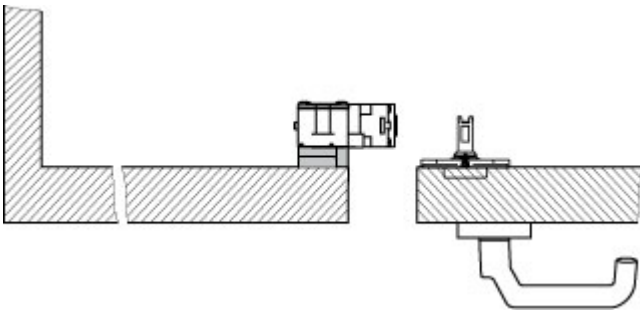
Images



Dimensional drawing (basic component)



Assembly example



Assembly example
