

Datasheet - Mounting set MS AZM 161 R/P

Solenoid interlock / AZM 161 / Accessories



Preferred typ



(Minor differences between the printed image and the original product may exist!)

Ordering details

Product type description	Montagebausatz MS AZM 161 R/P
Article number	101149213
EAN Code	4030661150444
eCl@ss	27-27-92-91

Global Properties

Permanent light	Montagebausatz
Weight	840

Mechanical data

mounting	Mounting right-angled to safety guard
----------	---------------------------------------

notice

The mounting sets can only be used in conjunction with actuator AZM 161-B6.

Included in delivery

Included in delivery

- Roundhead screw M5 x 16 per ISO 7380
- Roundhead screw M5 x 10 per ISO 7380
- Washer DIN 125-5,3
- U-profile AZM 161
- Mounting angle AZM 161
- Counter sunk screw M5 x 16 DIN 7991
- Mounting plate AZ 16/AZM 161

Documents

Operating instructions (pt) 146 kB, 26.04.2017

Code: mrl_ms_azm161_pt

Operating instructions (cn) 210 kB, 20.06.2017

Code: mrl_ms_azm161_cn

Operating instructions (fr) 148 kB, 27.01.2016

Code: mrl_ms_azm161_fr

Operating instructions (it) 146 kB, 28.09.2015

Code: mrl_ms_azm161_it

Operating instructions (jp) 225 kB, 14.08.2017

Code: mrl_ms_azm161_jp

Operating instructions (de) 138 kB, 24.09.2015

Code: mrl_ms_azm161_de

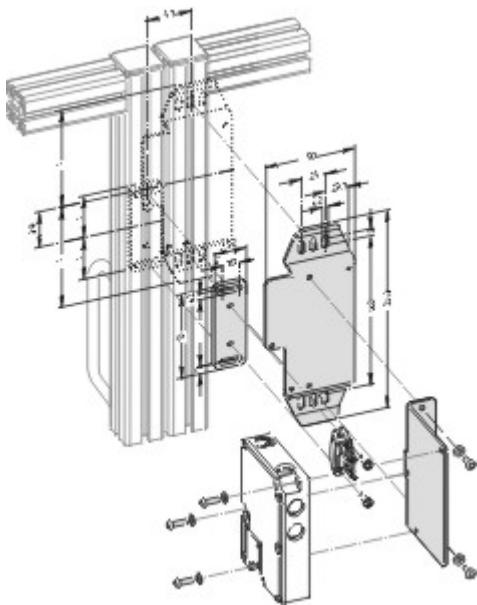
Operating instructions (en) 138 kB, 24.09.2015

Code: mrl_ms_azm161_en

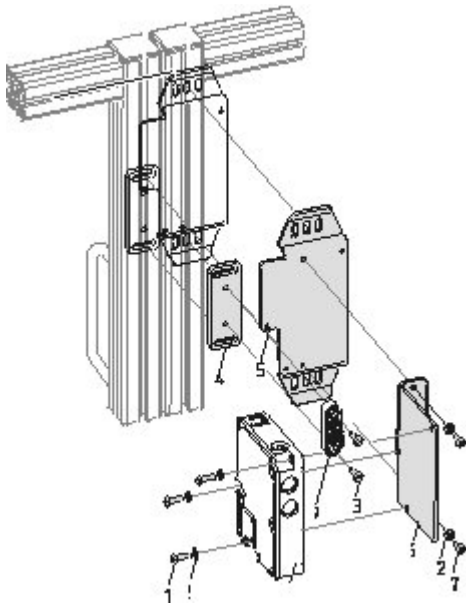
Operating instructions (nl) 149 kB, 23.07.2018

Code: mrl_ms_azm161_nl

Images



Dimensional drawing (miscellaneous)



Product graph (exploded-view drawing)

K.A. Schmersal GmbH & Co. KG, Möddinghofe 30, D-42279 Wuppertal
The data and values have been checked thoroughly. Technical modifications and errors excepted.
Generiert am 13.02.2019 - 14:41:53h Kasbase 3.3.0.F.64l