

Datasheet - RST16-1-R

Safety sensors / RSS16 / Actuator



- Frontal actuation from assembly direction
- Flat design
- with latching magnet

(Minor differences between the printed image and the original product may exist!)

Ordering details

Product type description	RST16-1-R
Article number	103004337
EAN Code	
notice	Sensor and actuator must be ordered separately.
eCI@ss	27-27-92-17

Approval

Approval



Global Properties

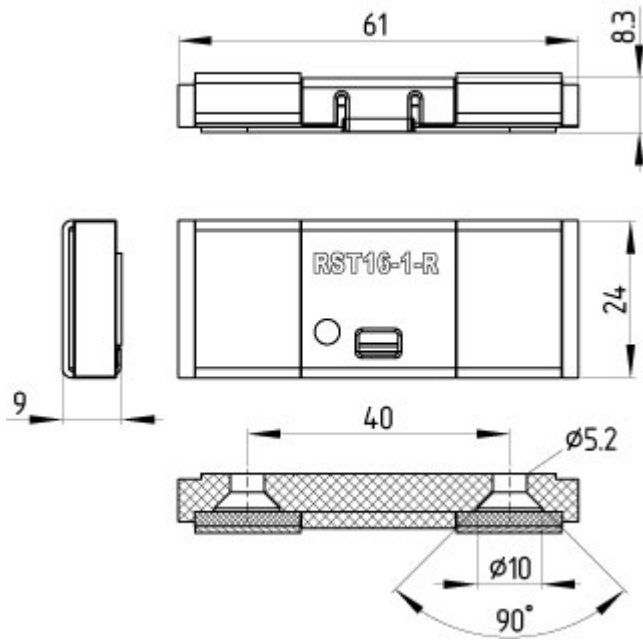
Permanent light	Betätiger
Materials	
- Material of the actuator	Plastic, Stainless steel
Weight	25
Recommended combinations	RSS16-R

Mechanical data

Active area	front
with latching magnet (Y/N)	Yes

Dimensions

Dimensions of the actuators	
- Width of the actuator	61
- Height of the actuator	9
- Length of the actuator	24



Dimensional drawing (actuator)

K.A. Schmersal GmbH & Co. KG, Möddinghofe 30, D-42279 Wuppertal
The data and values have been checked thoroughly. Technical modifications and errors excepted.
Generiert am 13.02.2019 - 14:30:12h Kasbase 3.3.0.F.64I