

Datasheet - BN 75-10Z-1391

Magnetic reed switch / BN 75



- with Pre-wired cable
- Non-contact principle
- 1 Reed kontakts
- Long life
- 80 mm x 99,5 mm x 55 mm
- Float switch
- Thermoplastic enclosure
- Available with M12 plug-in connector and pre-wired cable

(Minor differences between the printed image and the original product may exist!)

Ordering details

Product type description	BN 75-10Z-1391
Article number	101055744
EAN Code	4030661009421
eCl@ss	27-27-01-04

Approval

Approval	-
----------	---

Global Properties

Permanent light	BN 75
Standards	-
Compliance with the Directives (Y/N) 	Yes
Active principle	Magnetic drive
Materials	
- Material of the housings	Plastic, glass-fibre reinforced thermoplastic
- Material of the active surface	Plastic
Housing construction form	Special construction
Weight	122

Mechanical data

Design of electrical connection	Pre-wired cable
Mechanical life	1.000.000.000 operations
Electrical lifetime	1.000.000 ... 1.000.000.000 operations
hysteresis	3 mm
Type of actuation	Magnet
restistance to shock	-
Bounce duration	0,3 ... 0,6
Latching (Y/N)	No
bias magnet (Y/N)	No

Ambient conditions

Ambient temperature	
- Min. environmental temperature	-25
- Max. environmental temperature	+80
Protection class	IP67

Electrical data

Design of control element	Normally open contact (NO)
Number of shutters	1
Number of openers	0
Voltage type	
Dielectric strength	> 600 (50)
Switching voltage	220
Switching current	1 A
Switching capacity	60 /

Outputs

Design of control output	Reed kontakts
--------------------------	---------------

LED switching conditions display

LED switching conditions display (Y/N)	No
--	----

ATEX

Explosion protection categories for gases	None
Explosion protected category for dusts	None

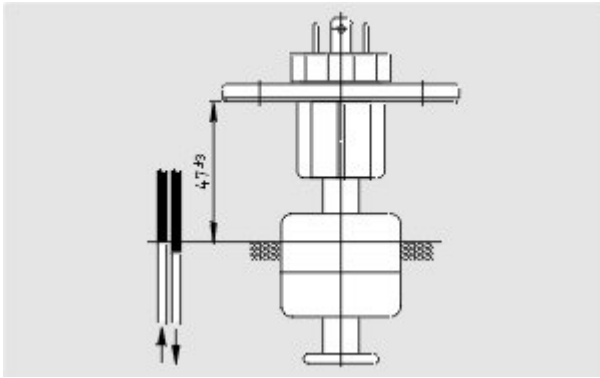
Dimensions

Dimensions of the sensor	
- Width of sensor	80
- Height of sensor	99.5
- Length of sensor	55




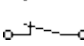

notice

Depending on how the floater is assembled, either a NO contact or a NC contact is possible.
The indicated switching points are applicable for water

Diagram



Note Diagram

-  positive break NC contact
-  active
-  no active
-  Normally-open contact
-  Normally-closed contact

Documents

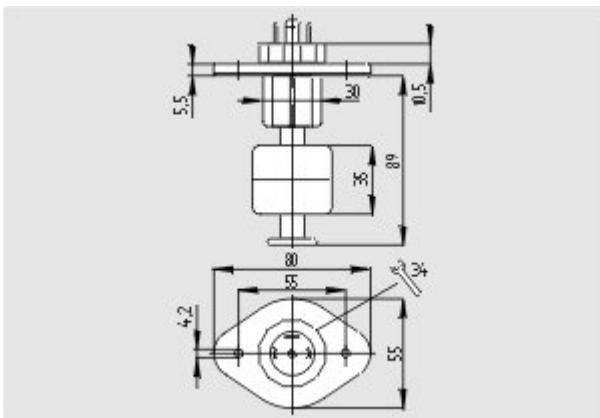
Declaration of conformity (en) 186 kB, 12.07.2018

Code: __bn_p01_en

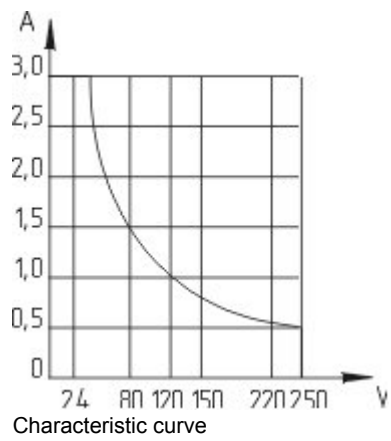
Declaration of conformity (de) 102 kB, 08.06.2016

Code: __bn_p01

Images



Dimensional drawing (basic component)



K.A. Schmersal GmbH & Co. KG, Möddinghofe 30, D-42279 Wuppertal

The data and values have been checked thoroughly. Technical modifications and errors excepted.

Generiert am 13.02.2019 - 13:12:38h Kasbase 3.3.0.F.64I