

Datasheet - BDF 100-NH-G-ST

Control panels / BDF100



- Thermoplastic enclosure
- slender shock-proof enclosure
- to be fitted to commercial-off-the-shelf aluminium profiles
- to be installed at an ergonomic favourable position
- large range of illuminated pushbuttons, Selector switches, LED indicator lights, Key-operated selector switches and Emergency-Stop buttons
- Field labelling with separate plastic cover
- Emergency stop latching pushbutton

(Minor differences between the printed image and the original product may exist!)

Ordering details

Product type description	BDF100-NH-G-ST
Article number	101215862
EAN Code	
eCl@ss	27-37-12-02

Approval

Approval



Global Properties

Permanent light	BDF100
Climatic stress	DIN EN 60068
Material of the housings	Plastic, glass-fibre reinforced thermoplastic, self-extinguishing
Housing color of upper part	■ yellow
Weight	140
Protective collar in housing cover (Y/N)	No
Positions used	
- Position 01	Emergency stop latching pushbutton
Emergency-Stop button (Y/N)	Yes

Mechanical data

Design of electrical connection

connector plug M12, 8-pole

Ambient conditions

Ambient temperature

- Min. environmental temperature
- Max. environmental temperature

-25
+65

Overvoltage category

III

Degree of pollution

3

Electrical data

Number of shutters

1

Number of openers

2

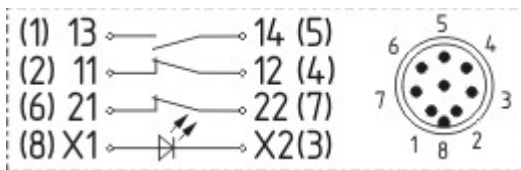
Dimensions

Dimensions

- Width
- Height
- Depth

40
99
69

Diagram



Note Diagram

- positive break NC contact
- active
- no active
- Normally-open contact
- Normally-closed contact

Ordering code

BDF 100-(1)-(2)-(3)-ST

(1)

NH-G

NHK-G

(2)

without

(1)

20

11

(2)

Control elements - with Emergency stop

Emergency stop latching pushbutton without Protective collar

Emergency stop latching pushbutton with Protective collar

Control elements - without Emergency stop

2 Normally open contact (NO)

1 Normally open contact (NO) / 1 Opener (NC)

LT..	Illuminated pushbutton (Selection Color)
LM..	Illuminated signal (Selection Color)
DT..	Push button (Selection Color)
WS 20/30	Selector switch, 2/3 switch position
WT 20/30	Selector switch, 2/3 switch position
SW 20	Key switch / - Key button, 2 switch position
(3)	
<i>without</i>	without Indicator lamp
	Indicator lamp
G/RD	Indicator lamp red
G/GN	Indicator lamp green
G/YE	Indicator lamp yellow
G/BU	Indicator lamp blue
G/WH	Indicator lamp white

Documents

Operating instructions and Declaration of conformity (nl) 679 kB, 29.11.2018

Code: mrl_bdf100_nl

Operating instructions and Declaration of conformity (de) 631 kB, 05.11.2018

Code: mrl_bdf100_de

Operating instructions and Declaration of conformity (it) 695 kB, 20.03.2018

Code: mrl_bdf100_it

Operating instructions and Declaration of conformity (es) 689 kB, 26.11.2018

Code: mrl_bdf100_es

Operating instructions and Declaration of conformity (pt) 682 kB, 03.12.2018

Code: mrl_bdf100_pt

Operating instructions and Declaration of conformity (cn) 818 kB, 22.11.2018

Code: mrl_bdf100_cn

Operating instructions and Declaration of conformity (en) 699 kB, 05.11.2018

Code: mrl_bdf100_en

Operating instructions and Declaration of conformity (pl) 733 kB, 20.03.2018

Code: mrl_bdf100_pl

Operating instructions and Declaration of conformity (fr) 680 kB, 26.11.2018

Code: mrl_bdf100_fr

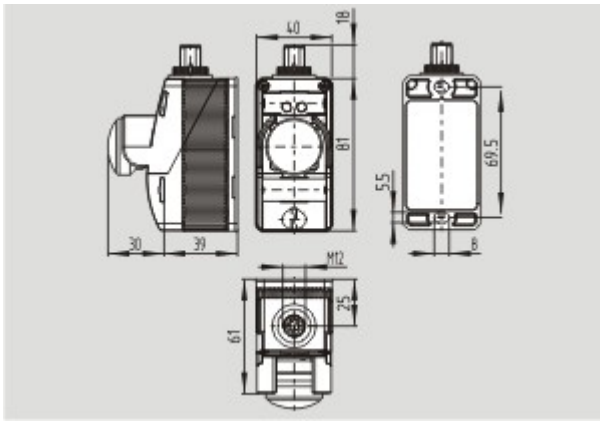
Operating instructions and Declaration of conformity (jp) 815 kB, 07.07.2016

Code: mrl_bdf100_jp

EAC certification (ru) 779 kB, 05.10.2015

Code: q_6043p17_ru

Images



Dimensional drawing (basic component)

K.A. Schmersal GmbH & Co. KG, Mödinghofe 30, D-42279 Wuppertal

The data and values have been checked thoroughly. Technical modifications and errors excepted.

Generiert am 13.02.2019 - 12:58:16h Kasbase 3.3.0.F.64I