

Datasheet - AZM190-B3/1X15

Solenoid interlock / AZM190 / Actuator



(Minor differences between the printed image and the original product may exist!)

Ordering details

Product type description	AZM190-B3/1X15
Article number	101029967
EAN Code	4030661451718
<i>Replaced article number 101144774</i>	
eCl@ss	27-27-92-16

Global Properties

Permanent light	Beweglicher Betätiger AZM190-B3/1X15
Weight	80

Mechanical data

Design of actuators	flexible
Play key in interlocked condition	approx. 5 mm
Minimum actuating radius	200 mm

notice

The axis of the hinge should be 25 mm above the top edge of the safety switch and in the same plane

With actuator preset at 15° for small actuating radii

On hinged guards, minimum actuating radius at 90° to the plane of the actuator 200 mm

Documents

Operating instructions and Declaration of conformity (fr) 193 kB, 14.04.2014

Code: mrl_azm190-betaetiger_fr

Operating instructions and Declaration of conformity (es) 193 kB, 08.08.2014

Code: mrl_azm190-betaetiger_es

Operating instructions and Declaration of conformity (en) 179 kB, 21.03.2014

Code: mrl_azm190-betaetiger_en

Operating instructions and Declaration of conformity (nl) 191 kB, 14.04.2014

Code: mrl_azm190-betaetiger_nl

Operating instructions and Declaration of conformity (jp) 241 kB, 14.04.2014

Code: mrl_azm190-betaetiger_jp

Operating instructions and Declaration of conformity (it) 192 kB, 14.04.2014

Code: mrl_azm190-betaetiger_it

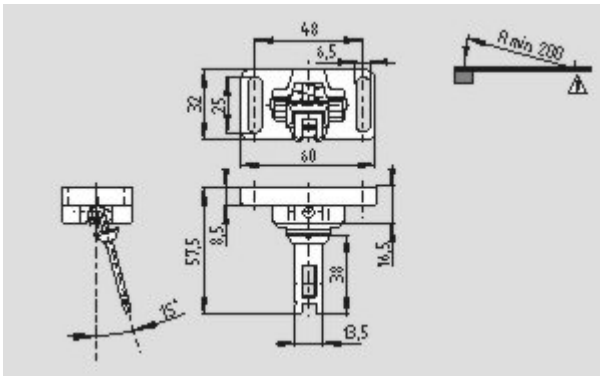
Operating instructions and Declaration of conformity (de) 181 kB, 21.03.2014

Code: mrl_azm190-betaetiger_de

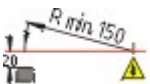
Operating instructions and Declaration of conformity (pl) 229 kB, 14.04.2014

Code: mrl_azm190-betaetiger_pl

Images



Dimensional drawing (miscellaneous)



Actuating radius

K.A. Schmersal GmbH & Co. KG, Möddinghofe 30, D-42279 Wuppertal

The data and values have been checked thoroughly. Technical modifications and errors excepted.

Generiert am 13.02.2019 - 14:48:53h Kasbase 3.3.0.F.64l