

Datasheet - BO

Key transfer system / SHGV - Guard locking device / Actuator



- Minimum actuating radius 400 mm
- Straight actuator

(Minor differences between the printed image and the original product may exist!)

Ordering details

Product type description	BO
Article number	101014460
EAN Code	4250116201594
eCl@ss	27-27-92-16

Global Properties

Permanent light	Gerader Betätiger BO
Weight	40

Mechanical data

Design of actuators	straight
Minimum actuating radius	400

Documents

Operating instructions and Declaration of conformity (da) 120 kB, 05.09.2017

Code: mrl_bo-betaetiger_da

Operating instructions and Declaration of conformity (nl) 118 kB, 05.09.2017

Code: mrl_bo-betaetiger_nl

Operating instructions and Declaration of conformity (fr) 144 kB, 05.09.2017

Code: mrl_bo-betaetiger_fr

Operating instructions and Declaration of conformity (es) 145 kB, 05.09.2017

Code: mrl_bo-betaetiger_es

Operating instructions and Declaration of conformity (en) 138 kB, 05.09.2017

Code: mrl_bo-betaetiger_en

Operating instructions and Declaration of conformity (cs) 160 kB, 05.09.2017

Code: mrl_bo-betaetiger_cs

Operating instructions and Declaration of conformity (pt) 145 kB, 05.09.2017

Code: mrl_bo-betaetiger_pt

Operating instructions and Declaration of conformity (jp) 219 kB, 05.09.2017

Code: mrl_bo-betaetiger_jp

Operating instructions and Declaration of conformity (pl) 156 kB, 05.09.2017

Code: mrl_bo-betaetiger_pl

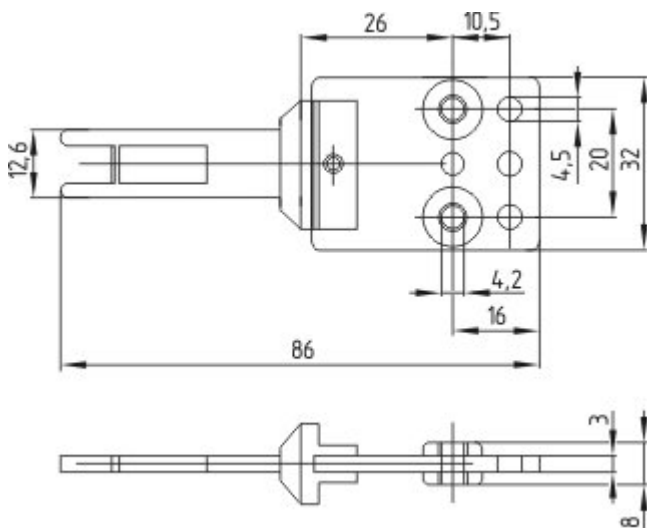
Operating instructions and Declaration of conformity (de) 119 kB, 05.09.2017

Code: mrl_bo-betaetiger_de

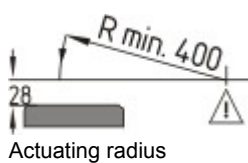
Operating instructions and Declaration of conformity (it) 140 kB, 05.09.2017

Code: mrl_bo-betaetiger_it

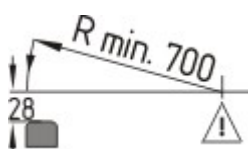
Images



Dimensional drawing (actuator)



Actuating radius



Actuating radius

K.A. Schmersal GmbH & Co. KG, Möddinghofe 30, D-42279 Wuppertal

The data and values have been checked thoroughly. Technical modifications and errors excepted.

Generiert am 13.02.2019 - 13:09:04h Kasbase 3.3.0.F.64I