

# 3D Sensor

## MLAS202

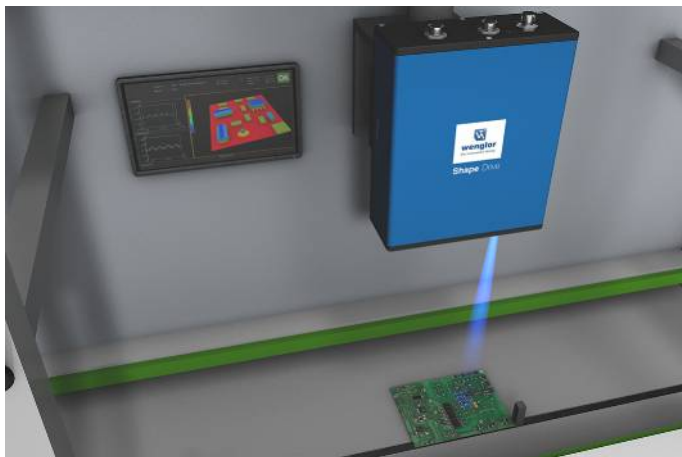
Part Number

ShapeDrive



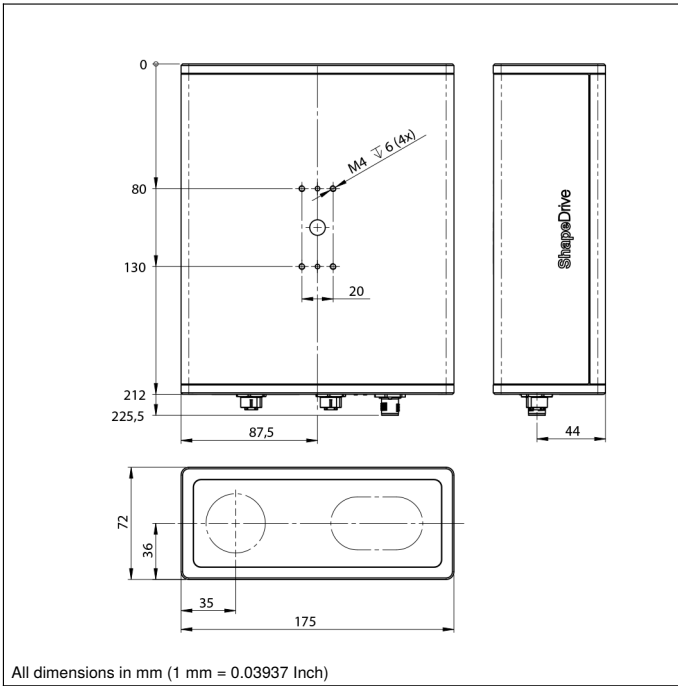
- 10 Gbit/s interface for high speed data transfer
- 12 MP resolution
- Short recording times of up to 0.188 s

ShapeDrive MLAS 3D Sensors are distinguished by high precision for minimal measuring volumes. The ten models in this series are available in two performance classes with camera resolutions of 5 and 12 megapixels. All ShapeDrive sensors are ideally suited for use in industrial environments thanks to the rugged IP65 housing. With its 10 Gigabit Ethernet interface and five measuring ranges in each performance class, ShapeDrive is also distinguished by great diversity and high speed.

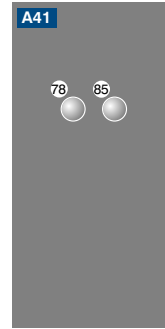


### Technical Data

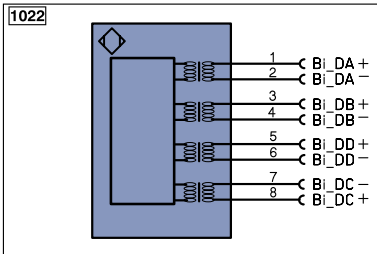
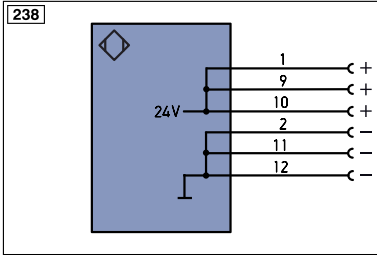
Optical Data	
Working range Z	255...295 mm
Measuring range Z	40 mm
Measuring range X	60 mm
Measuring range Y	40 mm
Resolution Z	5 µm
Resolution X/Y	15 µm
Camera Resolution	4096 × 3000 Pixel
Light Source	LED (blue)
Wavelength	460 nm
Service Life (T = +25 °C)	20000 h
Risk Group (EN 62471)	2
Max. Ambient Light	5000 Lux
Electrical Data	
Supply Voltage	18...30 V DC
Max. Current Consumption (U <sub>b</sub> = 24 V)	3,5 A
Recording duration	0,188...0,61 s
Temperature Range	0...35 °C
Storage temperature	-5...70 °C
Short Circuit Protection	yes
Reverse Polarity Protection	yes
Interface	Ethernet TCP/IP
Baud Rate	100 Mbit/s
Baud Rate (10 GbE)	10 Gbit/s
Protection Class	III
Mechanical Data	
Housing Material	Aluminium; Plastic
Degree of Protection	IP65
Connection	M12 × 1; 12-pin
Type of Connection Ethernet	M12 × 1; 8-pin, X-cod.
Optic Cover	Plastic
Weight	2500 g
Web server	yes
Connection Diagram No.	<b>238</b>   <b>1022</b>
Control Panel No.	<b>A41</b>
Suitable Connection Equipment No.	<b>50</b>   <b>87</b>
Suitable Mounting Technology No.	<b>343</b>



### Ctrl. Panel



78 = Module status  
 85 = Link/Act LED



### Legend

+	Supply Voltage +	PT	Platinum measuring resistor	EN <sup>A</sup> RS422	Encoder A/Ā (TTL)
-	Supply Voltage 0 V	nc	not connected	EN <sup>B</sup> RS422	Encoder B/B̄ (TTL)
~	Supply Voltage (AC Voltage)	U	Test Input	EN <sup>A</sup>	Encoder A
A	Switching Output (NO)	Ū	Test Input inverted	EN <sup>B</sup>	Encoder B
Ā	Switching Output (NC)	W	Trigger Input	A <sub>MIN</sub>	Digital output MIN
V	Contamination/Error Output (NO)	W-	Ground for the Trigger Input	A <sub>MAX</sub>	Digital output MAX
Ṽ	Contamination/Error Output (NC)	O	Analog Output	A <sub>OK</sub>	Digital output OK
E	Input (analog or digital)	O-	Ground for the Analog Output	SY <sub>in</sub>	Synchronization In
T	Teach Input	BZ	Block Discharge	SY <sub>OUT</sub>	Synchronization OUT
Z	Time Delay (activation)	A <sub>WV</sub>	Valve Output	OL <sub>T</sub>	Brightness output
S	Shielding	a	Valve Control Output +	M	Maintenance
RxD	Interface Receive Path	b	Valve Control Output 0 V	rsv	reserved
TxD	Interface Send Path	SY	Synchronization	Wire Colors according to DIN IEC 757	
RDY	Ready	SY-	Ground for the Synchronization	BK	Black
GND	Ground	E+	Receiver-Line	BN	Brown
CL	Clock	S+	Emitter-Line	RD	Red
E/A	Output/Input programmable	±	Grounding	OG	Orange
IO-Link	IO-Link	S <sub>nR</sub>	Switching Distance Reduction	YE	Yellow
PoE	Power over Ethernet	Rx+/-	Ethernet Receive Path	GN	Green
IN	Safety Input	Tx+/-	Ethernet Send Path	BU	Blue
OSSD	Safety Output	Bus	Interfaces-Bus A(+)/B(-)	VT	Violet
Signal	Signal Output	L <sub>a</sub>	Emitted Light disengageable	GY	Grey
Bi_D+/-	Ethernet Gigabit bidirect. data line (A-D)	Mag	Magnet activation	WH	White
EN <sup>0</sup> RS422	Encoder 0-pulse 0-0̄ (TTL)	RES	Input confirmation	PK	Pink
		EDM	Contactur Monitoring	GNYE	Green/Yellow

### Measuring Volume

